

SMARTReader SR100J & SR100S

SMARTReader offers customers a competitive edge by providing **cost-effective remote fuel level monitoring**. Fuel level information is essential to effectively manage inventory, improve delivery efficiency and ensure there is enough fuel for continuous generator operation during power outages. The device is powered from a dual supply to ensure it never goes off line.

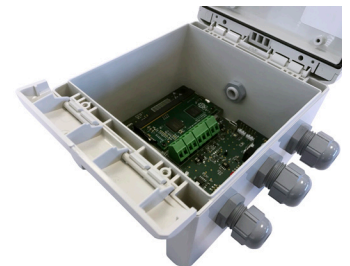
The SMARTReader reads an analogue voltage from the Rochester remote ready dial and Hall Effect module and scales it into a percentage volume measurement. The information is transmitted along with current GPS Location and system diagnostics to our secure SMARTData Portal platform.

General Specification

Main & Aux Power:	13-30 Vdc 500 mA
Cellular Communications:	UMTS (800/ 850/ 900/ 1900/ 2100MHz) GSM/EDGE (850/ 900/1800/ 1900MHz)
Weight:	400 gr
Enclosure Material:	ABS UL94
Operating Temperature:	-20 to 50 deg C
Environmental Protection:	Rated to F1- UL746C
Certification and Compliance:	- EN 60950: Information technology equipment, Safety & General requirements for equipment installed outdoors - EN 30148: EMC RF - EN 61326: EMC Immunity Test - CFR47: 2011 FCC conducted and radiated emissions
Power Connections:	Wire clamp screw terminal block - Two Core non screened
Wire:	- 24 AWG (0.2mm ²) to 20 AWG (0.5mm ²) - Outer Diameter 4mm (Min) 10mm Max
Terminal Torque:	4.45 to 5.34 in/lb (0.5 to 0.6 N-m)
Sensor Compatibility:	Rochester™ Remote Ready Dial: Junior (SR100J) or Senior (SR100S)
Mounting:	Wall mounted via 4 off 5.3 mm holes



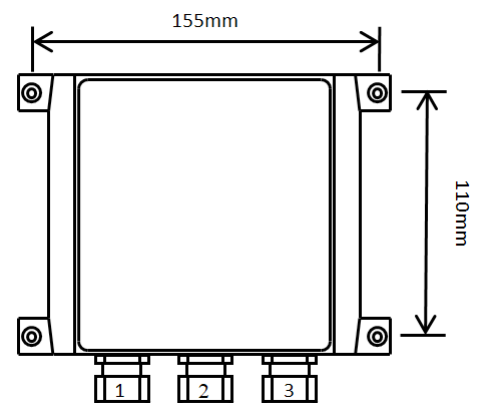
SMARTReader enclosure



For other options, please contact us.

Benefits

- Interfaces to Rochester™ Remote Ready Dials
- Data is viewed on a secure Internet portal
- Main & Aux powered 13-30 Vdc
- 2G/3G Mobile communications
- 4G/5G upgradeable
- On board self-diagnostics
- Simple to install

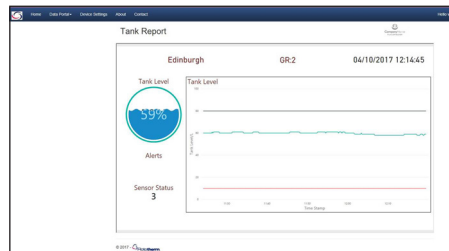
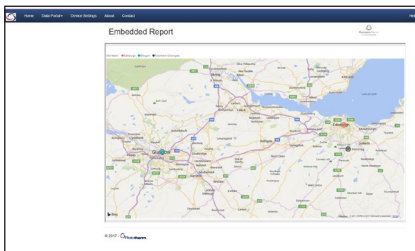
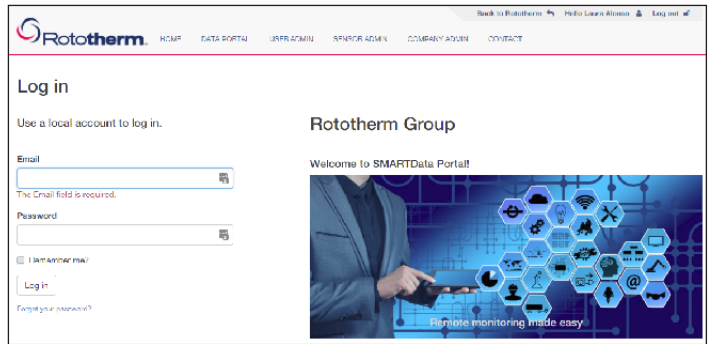


SMARTData Portal: Your monitoring data only a click away

SMARTData Portal is our state of the art secure online remote monitoring data portal that gathers all your data from your measuring devices and lets you monitor all your sites remotely 24/7/365.

It lets you keep track of the level, pressure, temperature and density of your tanks remotely, saving you from checking this information on site.

You can check your measurements from the office or on the road by just logging into our online SMARTData Portal, ensuring that any issues are picked up as early as possible, giving the client a total piece of mind.



Time	One Value	Device Name	Location	Tank Level	Day Month Year
02/10/2017 12:14:45	35%	GR-2	Edinburgh, 423104	35%	04/10
01/10/2017 12:14:45	35%	GR-2	Edinburgh, 423104	35%	04/10
01/10/2017 11:23:23	35%	GR-2	Edinburgh, 423104	35%	04/10
01/10/2017 10:28:23	35%	GR-2	Edinburgh, 423104	35%	04/10
01/10/2017 09:28:23	35%	GR-2	Edinburgh, 423104	35%	04/10
01/10/2017 08:28:23	35%	GR-2	Edinburgh, 423104	35%	04/10
01/10/2017 07:28:23	35%	GR-2	Edinburgh, 423104	35%	04/10
01/10/2017 06:28:23	35%	GR-2	Edinburgh, 423104	35%	04/10
01/10/2017 05:28:23	35%	GR-2	Edinburgh, 423104	35%	04/10
01/10/2017 04:28:23	35%	GR-2	Edinburgh, 423104	35%	04/10
01/10/2017 03:28:23	35%	GR-2	Edinburgh, 423104	35%	04/10
01/10/2017 02:28:23	35%	GR-2	Edinburgh, 423104	35%	04/10
01/10/2017 01:28:23	35%	GR-2	Edinburgh, 423104	35%	04/10
01/10/2017 00:28:23	35%	GR-2	Edinburgh, 423104	35%	04/10

Our SMARTData Portal shows current and previous readings of all your sites and information can be filtered by location, date, etc. You can also create personalised reports, export data and create customer alarm triggers for multiple accounts and configure your sensors.

Main Applications

A **world leader** in monitoring requirements, Rotherm has become the standard for accurate and reliable measurement across the following industries:



Commercial & Industrial Standby Generators



Cellular Towers



What Our Customers Say...

“The SMARTReader allows our customers to have piece of mind and provides tremendous value as we can monitor the tanks anytime we want.”

Francisco Vázquez - Owner of VIP GAS (Puerto Rico)