

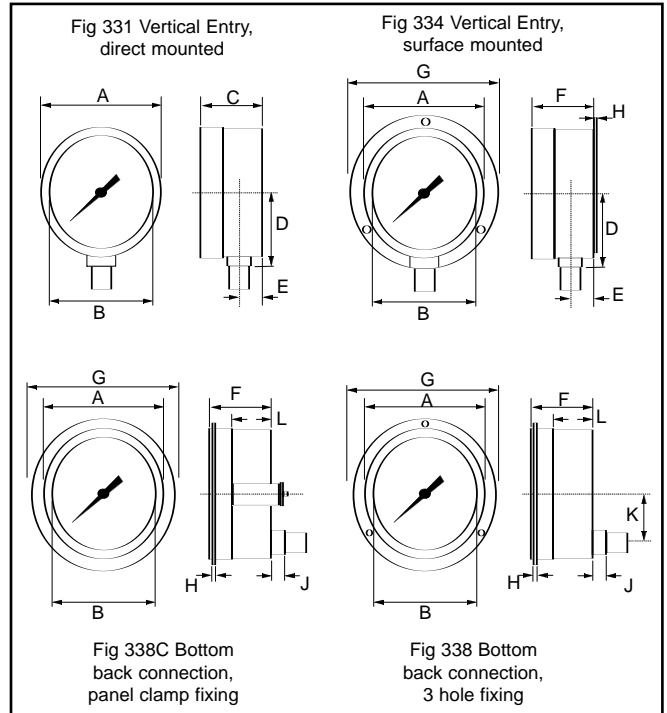
SAFEGAUGE "ELITE" SAFETY PATTERN PRESSURE GAUGES



SPECIFICATION

Case & Bezel	304 stainless steel, natural finish
Pressure Element	Bourdon tube in 316 stainless steel or Monel 400 to NACE specification MR-01-75
Pressure Ranges	-1 Bar (30" hg vacuum) to 1000 Bar (15000 psi)
Connection	3/8", 1/2" BSP or 1/4", 1/2" NPT, in 316 stainless steel, 1/4", 1/2" NPT in Monel 400 to NACE spec MR-01-75
Window	Safety glass as standard.
Dial	Aluminium alloy, white enamelled with black scale marking
Pointer	Aluminium, black finish, balanced
Movement	Stainless steel
Accuracy	1% of scale to BS EN837-1
Safety Features	Stainless steel "SafeCase" full blow out back, sealed for glycerine filling
Weight	100 mm dial = 0.6 Kg 150 mm dial = 1.1 Kg

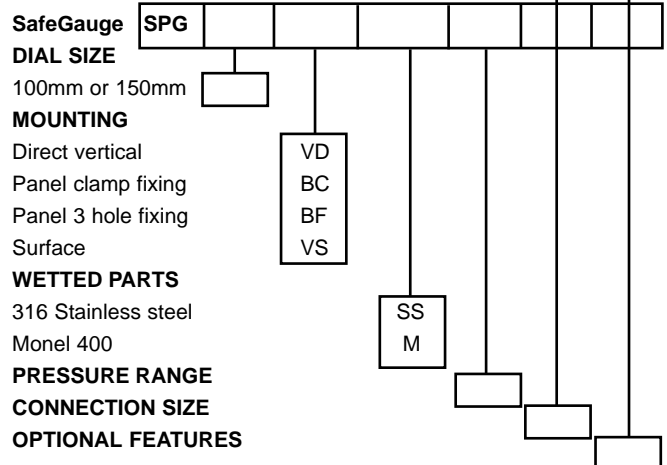
DIMENSIONS



	A	B	C	D	E	F	G	H	J	K	L	M	N
100	108	90	62	72	28	68	135	6.2	17	33	54	6	110
160	162	144	62	100	28	68	196	6.2	17	33	54	6	164

Weight approx. 100mm dial = 0.6kg (dry) 1.1kg (filled)
150mm dial = 1.1kg (dry) 1.5kg (filled)

SAFEGAUGE ORDER CODE



Rototherm
instrumentation and control

British Rototherm Co. Ltd.,
Kenfig Industrial Estate, Margam,
Port Talbot, West Glamorgan,
SA13 2PW, United Kingdom
Tel: 01656 740551 Fax: 01656 745915
E-mail: rototherm@rototherm.co.uk
Web site: www.rototherm.co.uk



BS EN
ISO 9001
Registration
no: FM11958