

RTH100 TEMPERATURE & HUMIDITY RECORDERS



Mounting

Ambient sampling
Remote sampling

Wall or flush panel or portable*
Wall

Note When panel mounting, a suitable air circulation must be provided to the duct intake and the inlet and outlet ports must not be restricted.
* Free standing portable version available (ambient sampling type only)

Weight
Sampling Type

6.5 Kg approx.
Total sampling line length is restricted to 1 metre max (20mm OD)

Note Where the temperature difference between sample air and case exceeds $\pm 5^{\circ}\text{C}$ then the sample line must be thermally insulated

Note Should the RH go above 85% RH it is possible that water droplets may form on the element. This may have a temporary or permanent affect on the calibration.

SPECIFICATION

Range

Temperature: 0° to 40° or 20° to 100°F
Humidity: 20 to 100% RH (see notes)

Measuring System

Temperature: Bi-metallic coil
Humidity: Hygroscopic membrane

Accuracy

Temperature: $\pm 1\%$ of the chart range
Humidity: $\pm 2\%$ within the limits 30 to 85% RH and 1° to 40°C

Chart

Diameter: 240 mm diameter
Drive: Electrical motor
24 hour or 7 day rotation as standard
3 hour, 6 hour, 12 hour and 28 day on application

Outputs and Set Points

Number of set points: Up to 4 set point adjustment by setting pointer against chart graduation

Number of output relays: Up to 4
Relay contacts: Double pole changeover
Switched voltage max.: 30Vdc/277Vac
Switched current max.: 10A
Switched load max.: 150W/1660VA
Insulation, contact to earth: 2kV

Power Supplies

Voltage requirements: 110V or 230V 50/60 Hz
Power requirements: <20VA
Insulation, contact to earth: 2kV

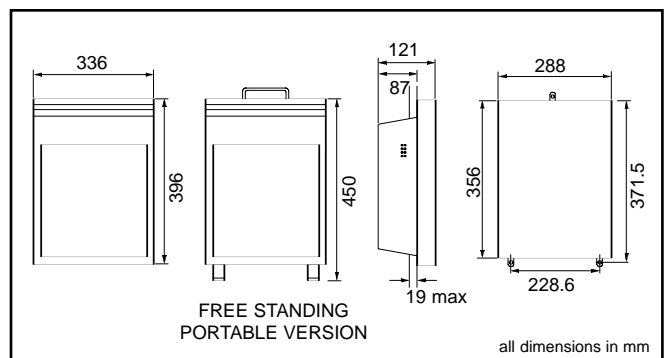
Environmental Data

Storage temperature limits:
Temperature instruments: -10° to $+50^{\circ}\text{C}$
Temperature/humidity inst.: 0° to 40°C
Storage humidity limits
Temperature instruments: 0 to 90%RH
Temperature/humidity inst.: 20 to 85% RH

Casing

Glass filled resin case with lockable hinged door with perspex window (polycarbonate to special order)

DIMENSIONS



RTH100 Series ORDER CODE

Humidity Only	RTH101					
Temperature Only	RTH102					
Temperature & Humidity	RTH103					

CONFIGURATION
Recorder only
Recorder / Controller

CHART DRIVE
3 hour
6 hour
12 hour
24 hour
7 day
28 day
Multi speed

POWER SUPPLY
110 volts 50/60Hz
230 volts 50/60Hz

MOUNTING
Wall
Portable

SAMPLING
Ambient
Remote
Remote & Re-Entry

Order Code Structure:
A (Recorder only)
B (Recorder / Controller)
1-7 (Chart Drive)
C, D (Power Supply)
1, 2 (Mounting)
A, B, C (Sampling)

Rototherm
instrumentation and control

British Rototherm Co. Ltd.,
Kenfig Industrial Estate, Margam,
Port Talbot, West Glamorgan,
SA13 2PW, United Kingdom
Tel: 01656 740551 Fax: 01656 745915
E-mail: rototherm@rototherm.co.uk
Web site: www.rototherm.co.uk



BS EN
ISO 9001
Registration
no: FM11958