

PRESSURE RECORDERS & RECORDER CONTROLLERS



These reliable and accurate instruments are suitable for most applications where there is a requirement for low cost pressure recording.

Up to 3 pens can be fitted with three pressure systems or combination of temperature, pressure or flow sensing systems.

The case is suitable for surface or panel mounting or may be specified as portable or pipe mounting.

FEATURES

- 1, 2 or 3 pen pressure recording and controlling at low cost
- Uses proven and reliable Rototherm pressure systems
- Simple installation and maintenance requirement
- Portable stand or pipe mounting available
- Fully mechanical versions available
- Electrical, battery or mechanical chart drive options
- Electrical control options
- Pneumatic control options

Pens

Fitted to the pen arms are disposable fibre tipped pens which are readily replaced without mess. Single pen recorders and the first pen of the two and three pen recorders trace in red ink, the second pen in blue, the third in green.

Control Options

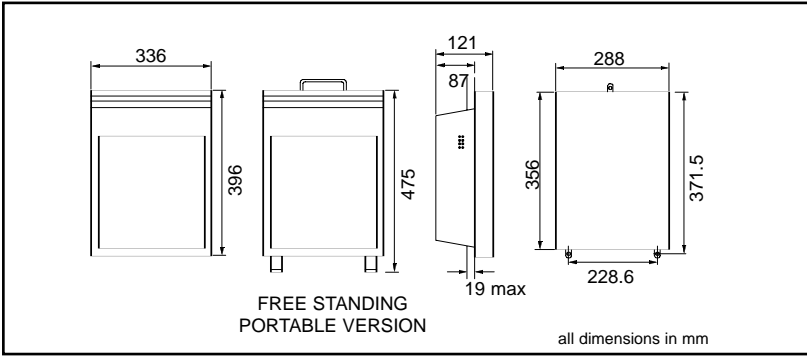
Full pneumatic control is available on this range of recorders - for full details please refer to the Pneumatic recorder controller data sheet.

Electric Control / Alarm - One and two pen recorders in this range may be specified with electrical control options.

SPECIFICATION

ACCURACY	+/-1% FSD
AMBIENT TEMPERATURE	-20°C to +50°C
MEASURING ELEMENT	Bourdon tube or pressure capsule
CHART DRIVE	Synchronous electric, battery or mechanical spring wound. 24 hour or 7 day. (other rotations on request)
CHARTS	Disc 240mm (9.5 inches) diameter. Standard dividing 40, 50, 60, 70 or 80 linear divisions.
INKING SYSTEM	Disposable fibre tipped pens. Single pen : Red. 2 pen : red & blue. 3 pen : red, blue and green.
CASE	Glass filled polyester resin. protection rated to IP55
WINDOW	Acrylic
POWER SUPPLY	200 to 250 volts, 50Hz (60Hz available); 100 to 110 volts, 50Hz (60Hz available); Instruments without electrical control require no power supply provided that a clockwork chart drive is fitted. Battery operated chart drives require 1.5 volt type "C" cell.
ELECTRICAL ALARM AND CONTROL	
Contact rating:	0.1A at 250V AC (non inductive)
(when fitted)	0.01A at 250V DC (non-inductive)
Relay contact rating	10A at 250V 50Hz
Contact adjustment range	2% to 100%
CONNECTION	
Standard	3/8" BSP male, with nut and tail pipe suitable for 6.35mm (1/4") outside diameter tube.
Portable	3/8" BSP male, with nut and tail pipe suitable for 6.35mm (1/4") outside diameter tube or 3/8" inside diameter tube.
Receiver Type (input 3-15 psi 0.2-1 Bar)	1/4" BSP female
MOUNTING	
	Suitable for surface or panel mounting. (Pipe mounting and portable options available)
WEIGHT	
	Single pen : 6.5 kg (14.25lb)
	Two pen : 7.0 kg (15.5lb)
	Three pen : 7.5 kg (16.75lb)
	Portable single pen : 8.6 kg (19 lb)

DIMENSIONS



RPO SERIES ORDER CODE

1 pen RPO

2 pen RPO

3 pen RPO

MOUNTING

Wall/Panel

Portable

Pipe

CHART DRIVE

Electric 240V 50Hz

Electric 110V 50Hz

Electric other*

Spring Wound

Battery

CHART ROTATION

24 hour

7 day

Other*

CONTROLS / ALARMS

No control

1st pen High & Low

2nd pen High & Low

1st & 2nd pen High & Low

PROCESS CONNECTION

Standard

1/2" BSP

Other*

ELEMENT/CONNECTION MATERIAL

Brass/Beryllium Copper/Phosphor Bronze

Stainless Steel

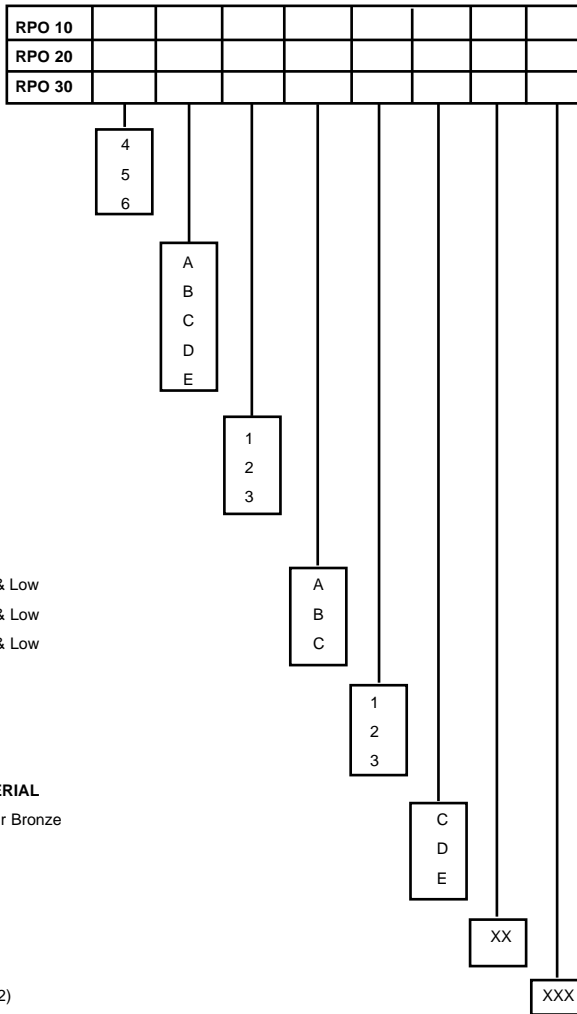
Other*

RANGE

Specify

UNITS OF MEASUREMENTS

Specify units i.e. Psi, Bar, Kg/cm2)



Notes

- (a) Where Other* is specified please add note to order code stating exact requirements
- (b) Should a combination of Pressure & Temperature be required please refer to the temperature recorder data sheet.
- (c) When specifying different ranges for 2 or 3 pen recorders, care should be taken to use standard/compatible charts ranges.

STANDARD RANGE

SENSING ELEMENT TYPE

MATERIAL

0 - 10" WG

0 - 15" WG

0 - 25" WG

Box Element

Beryllium Copper

-30 / +30" WG

-50 / +50" WG

0 - 40" WG

0 - 60" WG

0 - 100" WG

0 - 160" WG

Open Stack

Beryllium Copper

or

Stainless Steel

0 - 30" Hg Vac

0 - 250" WG

-15 / +15 Psi

0 - 15 Psi

0 - 20 Psi

0 - 25 Psi

0 - 30 Psi

0 - 40 Psi

0 - 60 Psi

0 - 80 Psi

Single Capsule

Beryllium Copper

or

Stainless Steel

3 - 15 Psi

Single Capsule

Beryllium Copper

or

Stainless Steel

(BS970 316 S16)

0 - 6 Bar

0 - 10 Bar

0 - 16 Bar

0 - 25 Bar

0 - 40 Bar

0 - 60 Bar

0 - 100 Bar

Bourdon Tube

Phosphor Bronze

or

Stainless Steel

(BS970 316 S16)

0 - 160 Bar

0 - 250 Bar

0 - 300 Bar

0 - 400 Bar

0 - 600 Bar

0 - 1000 Bar

0 - 1200 Bar

0 - 1600 Bar

Bourdon Tube

Phosphor Bronze

or

Stainless Steel

(BS970 316 S16)

other units of calibration are available

Rototherm

instrumentation and control

British Rototherm Co. Ltd.,
Kenfig Industrial Estate, Margam,
Port Talbot, West Glamorgan,
SA13 2PW, United Kingdom
Tel: 01656 740551 Fax: 01656 745915
E-mail: rototherm@rototherm.co.uk
Web site: www.rototherm.co.uk



BS EN
ISO 9001
Registration
no: FM11958