

# RPG & RCG Stainless Steel Cased Pressure Gauge

## Model RPG63, RPG100 and RPG150 features:

- Available in 63mm, 100mm, and 150mm dial sizes
- Adjustable micrometer pointer as standard (not 63mm)
- Field liquid fillable
- Simple installation and low maintenance
- Available with electrical contact head systems (100 and 150mm dial size only)
- Can be used in conjunction with Rotothem Diaphragm Seal Units



A range of economically priced 63mm, 100mm and 150mm nominal size pressure gauges ideally suited to most industrial applications where accuracy and durability is required.

Gauges are available with either brass/bronze internals or all stainless steel internals.

A number of optional accessories are available either as factory fitted or retro fitted - these include diaphragm seal units, electrical contact head systems, syphons, overrange protectors, snubbers and additional pointers

## Model RCG100 and RCG150 (Low range capsule version)

A range of economically priced RCG capsule pressure gauges with 100mm and 150mm dials are ideally suited to measuring low range pressures in dry, gaseous media. Accuracy 1.6%

## Specifications & Dimensions - RPG & RCG

### Case & Bezel

304 stainless steel - 63mm, 100mm and 150 mm nominal sizes. 316 stainless steel option available

### Element

Bourdon tube in non ferrous material, 316 stainless steel or Monel 400 to NACE spec MR-01-75 (RPG)

Beryllium Copper or 316 stainless steel capsule (RCG)

### Pressure Ranges

Model RPG : 30" Hg VAC to 10000 psi (-1 to 600 bar)

Model RCG : -25 mbar to +1000 mbar

(Please refer to standard pressure ranges).

### Connections

Model RPG : 1/4" + 3/8" + 1/2" (BSP - NPT)

Model RCG : 3/8" BSP, 1/2" BSP and NPT standard (RCG)

- other connections available

### Mounting

Direct, panel or surface mounting

### Window

Standard instrument glass as standard, laminated safety glass or perspex if required

### Dial

Aluminium - white with black scale markings

### Pointer

Aluminium, black finish - micrometer adjustable for 100mm and 150mm gauges (RPG only)

### Movement

Brass or Stainless steel

### Accuracy

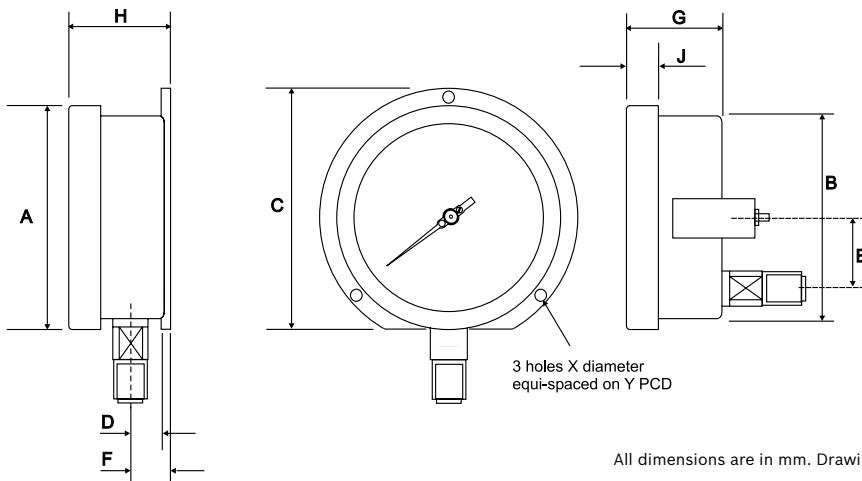
Class 1 to EN837 (RPG100 & RPG150) (Class 0.5 option)

Class 1.6 to EN837 (RPG63, RCG100 & RCG150)

### Weights (approx.)

63mm	Dry 250 g	Filled 450 g
100mm	Dry 750 g	Filled 1.0 kg
150mm	Dry 1.0 kg	Filled 1.25 kg

Configuration A + B  
Direct mounting,  
bottom entry  
Surface Mounting,  
bottom entry

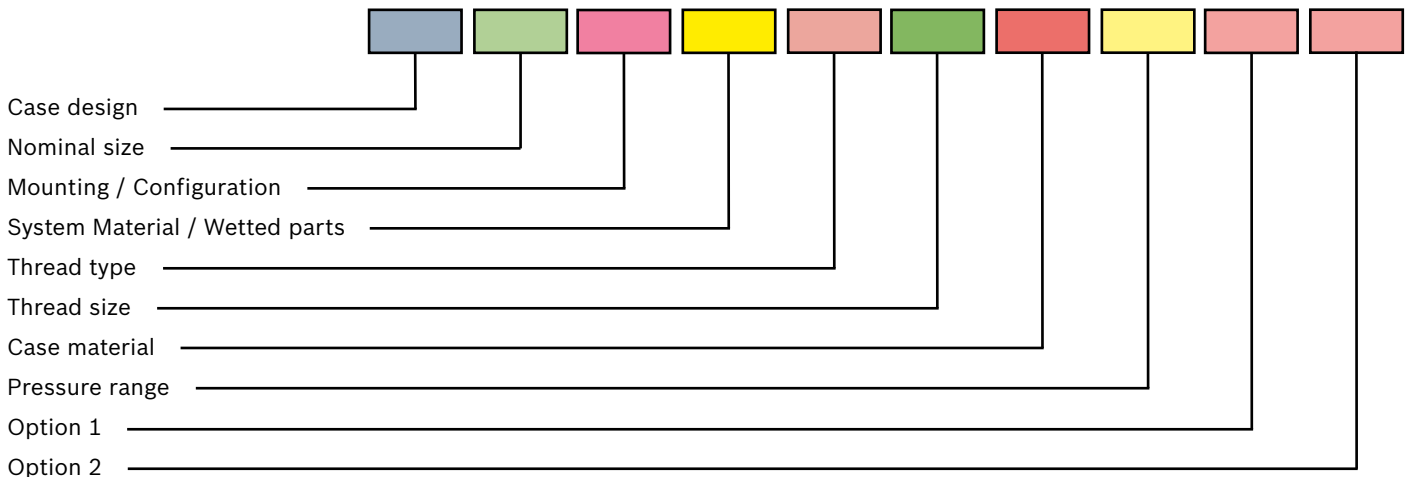


Configuration V  
Panel mounting,  
clamp fixing,  
back entry

All dimensions are in mm. Drawings are for illustration purposes only

Model / Nominal Size	A	B	C	D	E	F	G	H	J	X	Y
RPG63 (63mm)	69.0	62.0	78.5	8.0	18.0	20.0	36.0	38.0	13.0	3.6	75
RPG100 (100mm)	112.0	99.0	122.0	15.0	33.0	20.0	48.0	50.0	16.0	5.0	116
RPG150 (150mm)	172.0	158.0	184.0	15.0	33.0	20.0	50.0	53.0	18.0	5.0	178

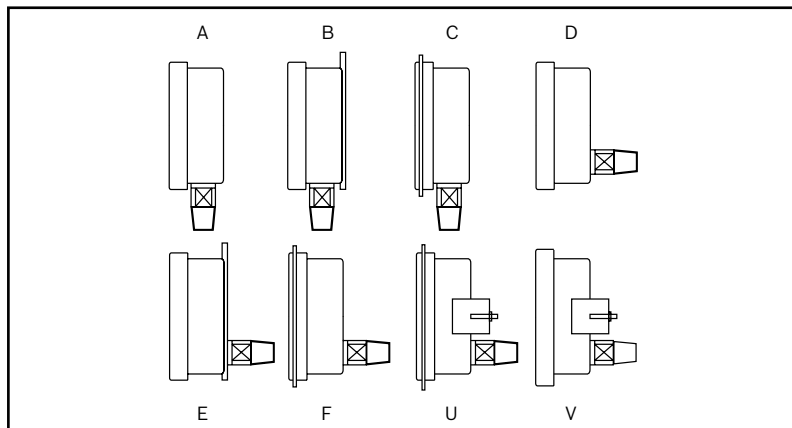
# RPG & RCG Pressure Gauge Ordering Information



## 1. Case type & nominal size

Case Code	Case & Bezel Material	Size Code	Nominal Size mm (inch)	Available Configuration
RPG	304 stainless steel	63	63 (2.5)	A B C D E F V
	316 stainless steel option (S1)	100	100 (4)	
		150	150 (6)	
RCG	304 stainless steel	100	100 (4)	A B C D E F V
	316 stainless steel option (S1)	150	150 (6)	

## 2. Gauge configuration



<b>A</b>	bottom connection, direct mounting
<b>B</b>	bottom connection, back flange, surface mounting
<b>C</b>	bottom connection, front flange, panel mounting
<b>D</b>	back connection, direct mounting
<b>E</b>	back connection, back flange, surface mounting
<b>F</b>	back connection, wide front flange, (drilled) panel mounting
<b>U</b>	back connection, wide front flange, (un-drilled) panel mounting (yoke)
<b>V</b>	back connection, narrow front-ring, panel mounting (yoke)

## 3a. Bourdon tube system material

System Code	Socket / Block Material	Bourdon Tube Material
<b>BB</b>	Brass	Bronze
<b>BS</b>	Brass	316 Stainless steel
<b>MM</b>	Monel 400*	Monel 400*
<b>SS</b>	316 Stainless steel	316 Stainless steel
<b>NS</b>	Ni Span C	316 Stainless steel

\* to NACE MR-01-75

## 3b. Capsule system material

System Code	Socket / Block Material	Capsule Material
<b>BB</b>	Brass	Beryllium copper
<b>SS</b>	316 Stainless steel	316 Stainless steel

Some materials may not be available for all gauge models. Please refer to individual gauge specifications, or alternatively contact Rototherm sales.

## 4. Thread type & size

Thread Type (first number)	Thread Size (second number)
0 = NPT	1 = 1/8"
1 = BSP	2 = 1/4"
2 = BSPT	3 = 3/8"
3 = API	4 = 1/2"

## 5. Case material

<b>S</b>	Stainless steel case (standard)
<b>S1</b>	316 Stainless steel case - when available as an option

## Example order code

RPG	100	A	SS	1	4	Q	0-10bar	G	N
-----	-----	---	----	---	---	---	---------	---	---

- Model RPG pressure gauge
- 100mm nominal dial size
- direct, bottom entry
- 316 stainless steel socket and bourdon tube
- 1/2" BSP male process connection
- 304 stainless steel case
- pressure range 0 to 10 bar
- glycerine fill option

## 6. Standard pressure ranges

Below is a list of standard pressure ranges that are available. gauges may be ordered with dual scales. Other units and non-standard ranges are available on request.

Imperial	Metric
3 to 15 psi receiver	0.2 to 1 bar
0 to 10" Wg	0 to 25 mbar
0 to 16" Wg	0 to 40 mbar
0 to 24" Wg	0 to 60 mbar
0 to 30" Wg	0 to 75 mbar
0 to 40" Wg	0 to 100 mbar
0 to 60" Wg	0 to 150 mbar
0 to 100" Wg	0 to 250 mbar
0 to 160" Wg	0 to 400 mbar
0 to 200" Wg	0 to 500 mbar
0 to 300" Wg	0 to 700 mbar
0 to 400" Wg	0 to 1000 mbar
0 to 30" Hg vacuum	0 to -1 bar vacuum
30" Hg to 15 psi	-1 to +1.5 bar
30" Hg to 30 psi	-1 to +3 bar
30" Hg to 60 psi	-1 to +5 bar
30" Hg to 100 psi	-1 to +9 bar

Equivalent units available include:

"Wg, "Hg, cm Wg, cm Hg, kg/cm<sup>2</sup>, kPa and MPa.

Some ranges may not be available for all gauge models. Please refer to individual specification sheets or contact Rototherm sales.

Imperial	Metric
0 to 10 psi	0 to 600 mbar
0 to 15 psi	0 to 1 bar
0 to 25 psi	0 to 1.6 bar
0 to 30 psi	0 to 2.5 bar
0 to 60 psi	0 to 4 bar
0 to 100 psi	0 to 6 bar
	0 to 7 bar
0 to 120 psi	
0 to 160 psi	0 to 10 bar
0 to 200 psi	0 to 16 bar
0 to 300 psi	0 to 20 bar
0 to 400 psi	0 to 25 bar
0 to 600 psi	0 to 40 bar
0 to 800 psi	0 to 60 bar
0 to 1000 psi	0 to 70 bar
0 to 1600 psi	0 to 100 bar
0 to 2000 psi	0 to 160 bar
0 to 3000 psi	0 to 250 bar
0 to 4000 psi	
0 to 6000 psi	0 to 400 bar
0 to 10000 psi	0 to 600 bar
0 to 15000 psi	
0 to 16000 psi	0 to 1000 bar

## 7. Options

No option = NN, one option = selected letter then N, Two options = list from below alpha-numerically.

<b>N</b>	No option	<b>O</b>	Oxygen cleaned
<b>X</b>	Special instruction - please state	<b>P</b>	Perspex window
<b>C</b>	Customer drawing or specification	<b>R</b>	Internal Restrictor fitted
<b>D</b>	Defence Standard 66/2	<b>S</b>	Internal stops
<b>E</b>	Electrical Contact Head	<b>T</b>	Drag pointer
<b>G</b>	Glycerine filled	<b>V</b>	Low magnetic permeability
<b>H</b>	0.5% accuracy	<b>W</b>	Test gauge (0.25% accuracy)
<b>J</b>	Red setting pointer	<b>Y</b>	Damped Movement
<b>L</b>	No aluminium (for underground use)	<b>Z</b>	Wetted parts to NACE MR-01-75

Some options may not be available for all gauge models. Please refer to individual gauge specifications, or contact Rototherm sales.



### British Rototherm Company Limited

Kenfig Industrial Estate, Margam, Port Talbot SA13 2PW United Kingdom  
 Telephone : +44 (0) 1656 740 551 Facsimile : +44 (0) 1656 745 915

E-mail : sales@rototherm.co.uk  
 Web Site : www.rototherm.co.uk

sales@thermocouple.co.uk  
 www.thermocouple.co.uk



ISO9001:2015