

Pneumatic Indicator - Series 847

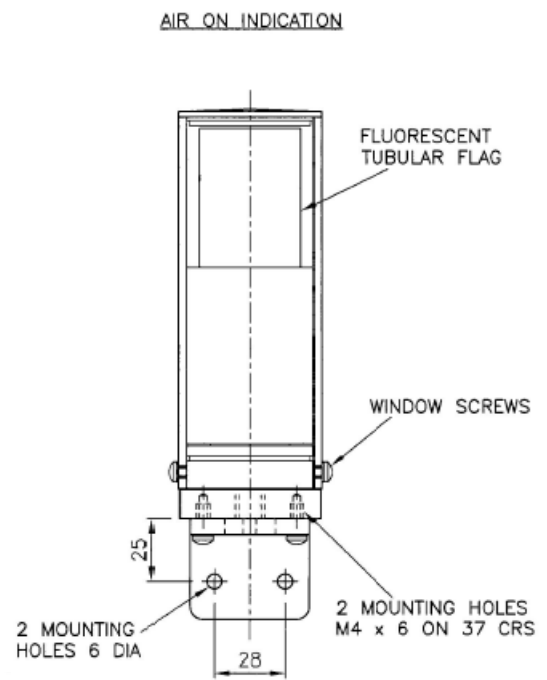
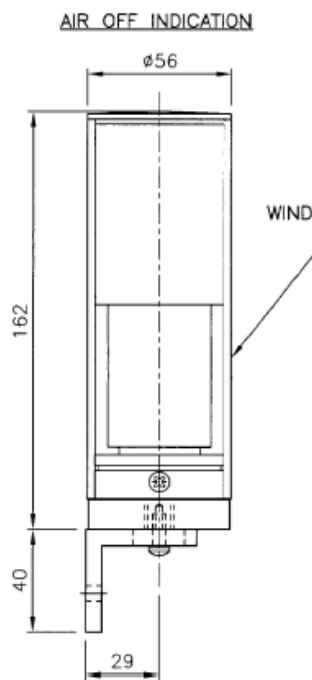
Our *Pneumatic Indicator* is a **visual alarm** to be used where a visible alarm warning is required. It is compatible with 300 & 700 Series Pneumatic Pressure Switches.

General Specification

Pneumatic Connection:	1/8" Rc
Operating Pressure:	1.4 to 10 Bar (20 to 145 psi)
Configuration:	"Air On" on "Air Off" operation
Mounting:	Vertical



847 Model



Ordering Information

847 Pneumatic Indicator	STANDARD →	847	10
-------------------------	------------	-----	----

Main Applications

A **world leader** in pneumatic products, Rototherm has become the standard for accurate and reliable measurement across the following industries:



Power
Generation



Oil & Gas



Pharmaceutical



Chemical,
Petrochemical &
Refining



Waste Water

Technical Certification

- Certificate of Conformity

Export Documentation

- Certificate of Origin
- EUR1
- ATR

Calibration and After-Sales Support

- Fully trained field service personnel
- Use of UKAS certified calibration equipment
- 5 day turnaround
- Fixed pricing
- Approved manufacturer parts
- Full post-service reports
- 12 month warranty



For more information, please contact our service team
services@rototherm.co.uk