

Precision Pneumatic Flow Regulators - Series 1700

Our *Precision Pneumatic Flow Regulators (Flow Regulators)* have a **high accuracy** and are suitable on many applications where a **constant flow of air** is required. These applications include use in **level measurement** where a constant flow of air is required to a dip tube or in **purging** applications.

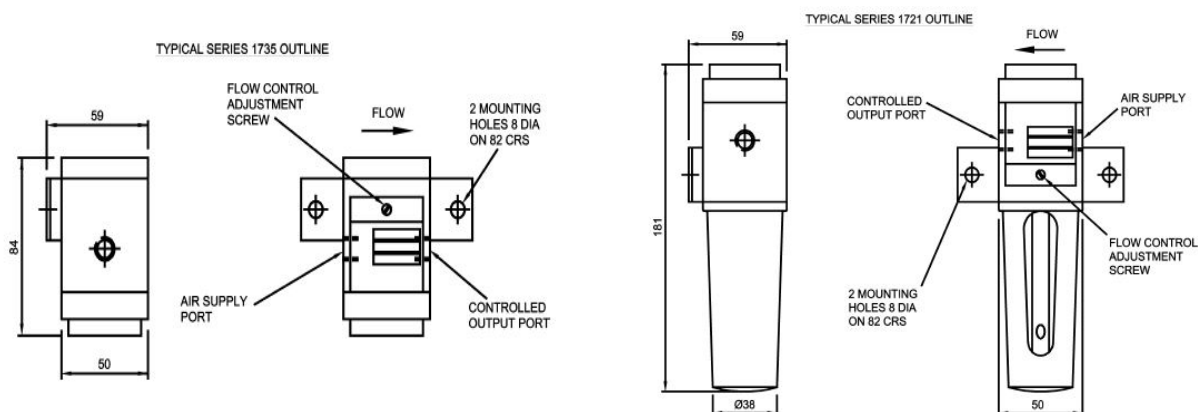
General Specification

Body Material:	Anodised Aluminium or 316 Stainless Steel
Paint Finish:	Epoxy hardened stoved enamel (Only for Aluminium models)
Internal Components:	Anodised Aluminium and Stainless Steel
Diaphragm & Seals:	Nitrile
Valve Seat:	Viton
Material (1721):	PMMA (Polymethyl Methacrylate)
Pressure Ratings:	1721: 8 Bar MWP (Proof rating = 1.5 x MWP) 1735: 16 Bar MWP
Temperature Ratings:	-20°C to +80°C for dry gases
Diameter (mm):	IP66
Pneumatic Connections:	1/8" NPT
Accuracy:	+/- 2%
Ranges	1721: 0.5 to 3 NI/hr 1735: 0.5 to 300 NI/hr
Options:	Available with bubbler or non-indicating



1700 - Series

For other options, please contact us Sales@rototherm.co.uk or +44 (0)1656 740551



Main Applications

A **world leader** in regulators, Rototherm has become the standard for accurate and reliable measurement across the following industries:



Power Generation



Oil & Gas



Pharmaceutical



Chemical, Petrochemical & Refining



Waste Water

Ordering Information

1700 Pneumatic Positioner	STANDARD →	17	21	1103
Model	Bubbler Flow Indicator Non-Indicating Flow Regulator		21 35	
Material	Anodised Aluminium Stainless Steel			1103 1503

For any other options, please contact us sales@rototherm.co.uk or +44 (0)1656 740551

Technical Certification

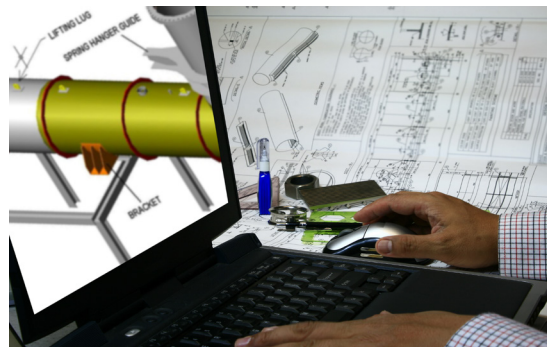
- Certificate of conformity
- Factory Test Certificate
- Factory Calibration Certificate (3 point)
- Factory Calibration Certificate (5 point)
- Material Certificate

Export Documentation

- Certificate of Origin
- EUR1
- ATR

Calibration and After-Sales Support

- Fully trained field service personnel
- Use of UKAS certified calibration equipment
- 5 day turnaround
- Fixed pricing
- Approved manufacturer parts
- Full post-service reports
- 12 month warranty



For more information, please contact our service team services@rototherm.co.uk