

Our *Stainless Steel or Anodised Aluminium Minifolds* can replace complex assemblies of valves and fittings.

Originally developed for instrument air supplies within control panels, minifolds are now available for the distribution of gaseous and liquid media in petro-chemical, marine and general industrial applications.

Minifold blocks have tapped inlet connections at both ends, connect to one and plug the other, or connect minifolds in series. Their compact construction makes them ideal for use in panels and confined spaces.

## General Specification

<b>Material:</b>	Minifold blocks are manufactured in HE30 aluminium, anodised to BS1615:1987 marine grade. Series 940 and 950 valve bodies are brass. Minifold valve spindles are thermoplastic and coloured red for blocks with BSP threads, or grey for blocks with NPT threads. The spindles are fitted with nitrile seals.
<b>Operating Pressure/ Temperature :</b>	Vacuum to 10 Bar / -25°C to 90°C.
<b>Process Media:</b>	Air or any clean gas, vapour or liquid which is compatible with the materials of construction.
<b>Series 940 &amp; 950 Tube Nuts:</b>	These minifolds can be piped with metal, nylon or plastic tube. For metal or nylon tube use valve outlet codes 5 or 7. The tube nut is supplied with a conventional olive, the ends of which compress into the tube wall. For soft wall plastic or nylon tube use valve outlet codes 6 or 8. The tube nut is fitted with a synthetic rubber seal, which compresses into the tube wall.
<b>Outlet Tagging:</b>	971's and 975's have recessed top and faces to accept standard 6mm Dymotape.
<b>Thread Standards:</b>	BSP.P is a parallel thread to BS EN ISO 228. NPT is a tapered thread to ANSI B1.20.1.
<b>Additional Options:</b>	- Minifold supplied plugged at one end. - Viton seals. - Stainless steel valve spindle.

### FEATURES:

- 5, 10 OR 20 OUTLETS
- COMPREHENSIVE RANGE
- AVAILABLE IN 316 STAINLESS STEEL OR ANODISED ALUMINIUM
- READILY AVAILABLE
- SAVE SPACE
- REDUCE COSTS
- CORROSION RESISTANT (ONLY SS VERSION)

## Main Applications

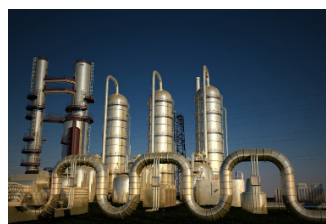
A **world leader** in manifolds, Rototherm has become the standard for accurate and reliable measurement across the following industries:



On/Offshore Environments



Power Stations



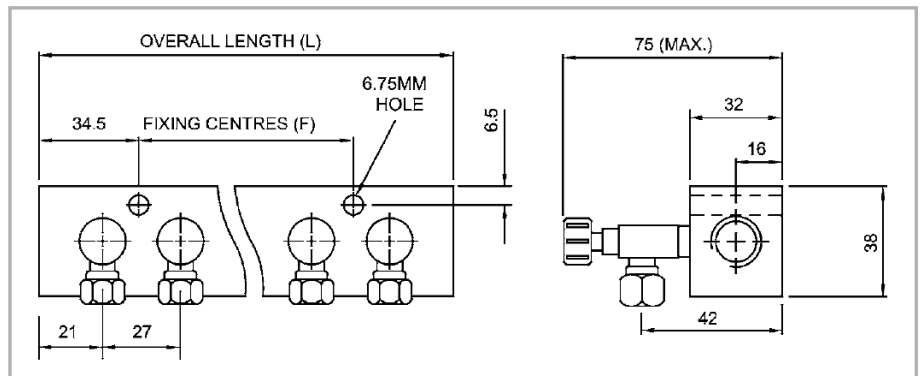
Chemical & Petrochemical



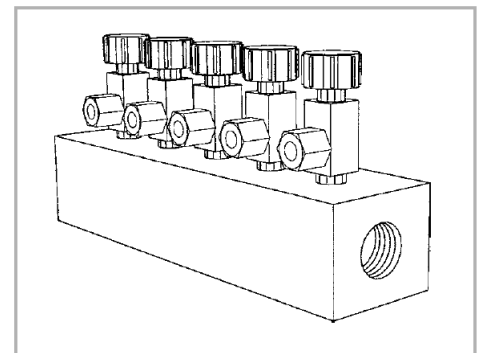
Industrial

### SERIES 940

Use a thermoplastic valve spindle in a brass body and are available in 5 way or 10 way with a 15mm nominal bore. Outlet connections are ready to use, push in your tube and tighten up the nut.

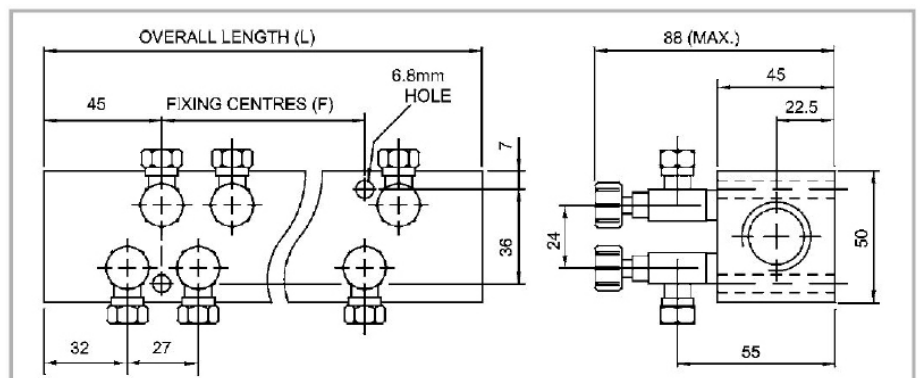


Technical Specifications - 940 Model		
Bore Size:	15 mm nominal	
Inlet Thread:	3/8" BSPP or NPT INT	
Outlets:	1/4" or 6 mm tube nuts	
Number of Valves:	5	10
Length L (mm):	150	285
Fixing Centres F (mm):	81	216
Aluminium - Weight (kg):	0.57	1.09
Stainless Steel - Weight (kg)	1.42	2.72

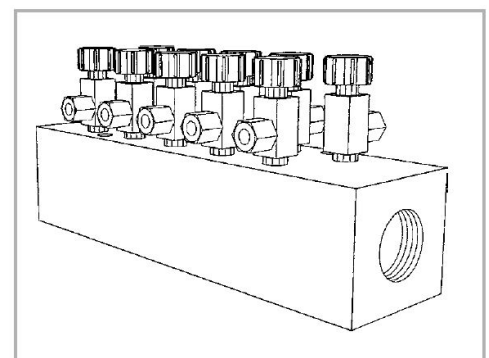


### SERIES 950

Use the same output valves as the Series 940 but give twice as many outputs for a given length of minifold block. They are available in 10 way or 20 way with a 25mm nominal bore. Outlet connections are ready to use, push in your tube and tighten up the nut.

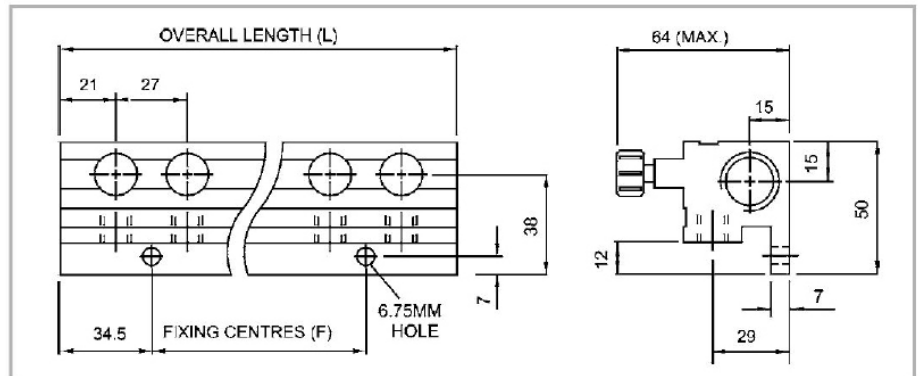


Technical Specifications - 950 Model		
Bore Size:	25 mm nominal	
Inlet Thread:	3/4" BSPP or NPT INT	
Outlets:	1/4" or 6 mm tube nuts	
Number of Valves:	10	20
Length L (mm):	185	320
Fixing Centres F (mm):	95	230
Aluminium - Weight (kg):	1.13	2.04
Stainless Steel - Weight (kg)	2.90	5.10

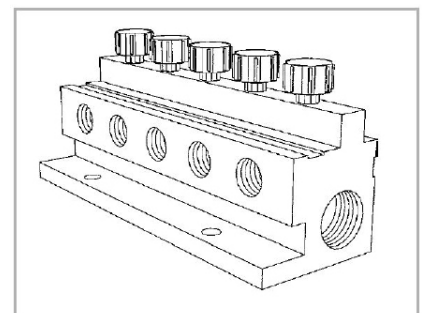


**SERIES 971**

Have 1/4" tapped outlet connections for your preferred pipe fittings. They are available in 5 way or 10 way with a 18mm nominal bore. Also available with 6mm push-in connections.

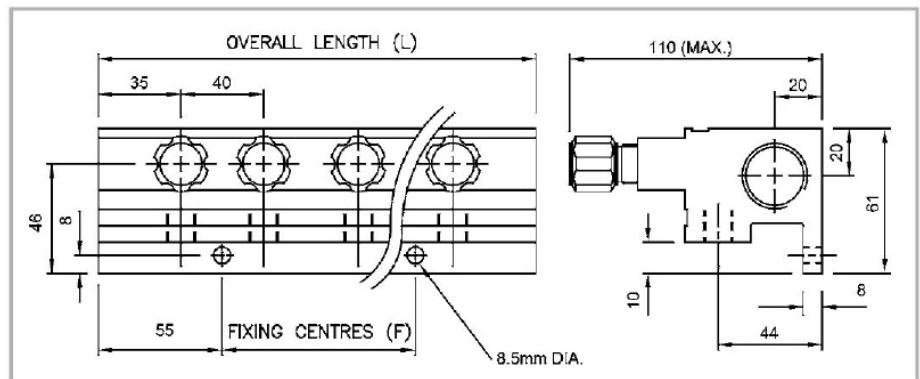


Technical Specifications - 971 Model		
Bore Size:	18 mm nominal	
Inlet Thread:	1/2" BSPP or NPT INT	
Outlets:	1/4" or 6 mm tube nuts	
Number of Valves:	5	10
Length L (mm):	150	285
Fixing Centres F (mm):	81	216
Aluminium - Weight (kg):	0.54	1.04

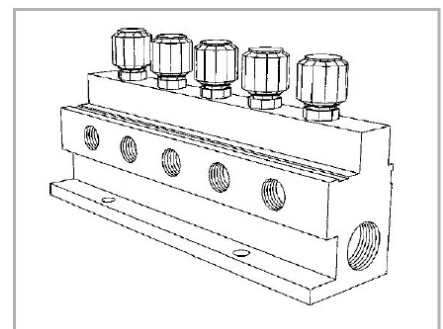


**SERIES 975**

A larger version of the Series 971 these have 3/8" tapped outlet connections for your preferred pipe fittings. They are available in 5 way or 10 way with a 25mm nominal bore.



Technical Specifications - 975 Model		
Bore Size:	25 mm nominal	
Inlet Thread:	3/4" BSPP or NPT INT	
Outlets:	3/8" or 6 mm tube nuts	
Number of Valves:	5	10
Length L (mm):	230	430
Fixing Centres F (mm):	120	320
Aluminium - Weight (kg):	1.58	2.95



## Ordering Information

Minifolds	STANDARD →	940	10	1	2	5
Model	940 950	940 950				
Number of outlets	<b>940 Model options:</b>					
	10		10			
	5		05			
	<b>950 Model options:</b>					
	10		10			
	20		20			
Material	Block: black anodised aluminium alloy / Valves: brass body, thermoplastic spindle Block & Valves: 316 stainless steel / Spindles: Thermoplastic			1 5		
Block Inlet Connections	<b>940 Model options:</b>					
	Rp3/8 (3/8" BSP.P)				2	
	3/8" NPT INT.				4	
	<b>950 Model options:</b>					
	Rp3/4 (3/4" BSP.P)				7	
	3/4" NPT INT.				8	
Valve Outlet Connections	Nut and metal olive for 1/4" o.d.tube					5
	Nut with synthetic rubber seal for 1/4" o.d. tube					6
	Nut and metal olive for 6mm o.d.tube					7
	Nut with synthetic rubber seal for 6mm o.d.tube					8

## Ordering Information

Minifolds	STANDARD →	971	05	2	5	1
Model	971 975	971 975				
Number of outlets	5		05			
	10		10			
Material	Block: black anodised aluminium alloy / Valves: integral with thermoplastic spindle			2		
Block Inlet Connections	<b>971 Model options:</b>					
	Rp1/2 (1/2" BSP.P)				5	
	1/2" NPT INT.				6	
	<b>975 Model options:</b>					
	Rp3/4 (3/4" BSP.P)				7	
	3/4" NPT INT.				8	
Valve Outlet Connections	<b>971 Model options:</b>					
	Rp1/4 (1/4" BSP.P)					1
	1/4" NPT INT.					3
	6 mm push-in outlets					6
	<b>975 Model options:</b>					
	Rp3/8 (3/8" BSP.P)					2
	3/8" NPT INT.					4

For any other options, please contact us [sales@rototherm.co.uk](mailto:sales@rototherm.co.uk) or +44 (0)1656 740551

## Technical Certification

- Certificate of conformity
- Material Certificate



ISO9001:2015  
FM11958

## Export Documentation

- Certificate of Origin
- EUR1
- ATR