

MD300 DIGITAL PANEL METER



- Bright 3 1/2 digit LED display
- Digital Indication of set point
- Integral isolated power supply
- Isolated retransmission option

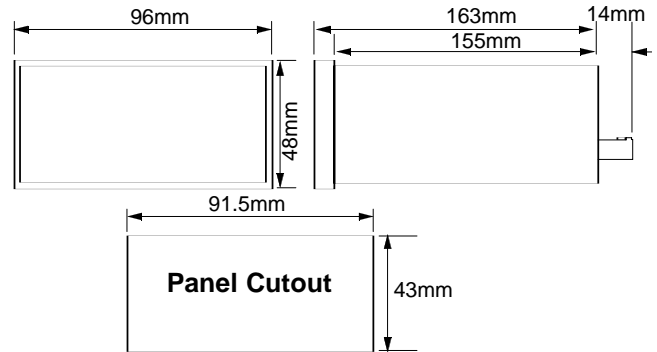
The Rototherm MD300 range of Digital Panel Meters offers a choice of input options together with output options, including integral transmitter power supply, retransmission signal and a choice of either one or two set points.

Utilising bright 3.5 digit displays this range of quality instruments are housed in strong, impact resistant cases that are easy to install.

The MD300 may be specified for mains power supplies and have options for decimal point position and scaling when used in the 4-20mA input format.

When supplied with either single or dual set points that are adjustable from the front of the instruments, HI and LO lamps are illuminated when their respective relays are activated. Set points can be checked and adjusted from the front panel.

DIMENSIONS



MD300 ORDER CODE

MD3									
INPUT	1								
RTD Pt100 (3 wire) -100° / +199.9°C	2								
RTD Pt100 (3 wire) -200° / +400°C	3								
Type K Thermocouple -270 / +1000°C	4								
Type J Thermocouple -210 / +1000°C	5								
Type T Thermocouple -270 / +400°C	6								
Type R Thermocouple -50 / 1500°C	7/8/								
Voltage - see specification table		1							
Current mA - see specification table		2							
POWER SUPPLY									
240V 50/60Hz									
120V 50/60Hz									
OUTPUT OPTIONS									
Without transmitter power supply									
With transmitter power supply (24VDC)									
With retransmission signal (4-20mA)									
Without retransmission signal									
No Set Point									
Single set point								1	
Dual set point								2	
Red display								3	
Green display									1
									2

SPECIFICATION

Input	RTD (Pt100)	RTD (Pt100)	Thermocouple K	Thermocouple J	Thermocouple T	Thermocouple R	Voltage	Current
Display	3.5 digit LED colour - Choice RED or GREEN							
Range	-100 / +199.9°C	-200/850°C	-270 / +1200°C	-210 / +1200°C	-270 / +400°C	-50 / 1767°C	Scaled between -1999 & +1999	
Resolution	0.1°C	1°C	1°C	1°C	1°C	1°C	1 digit	1 digit
Accuracy	Better than ±0.2°C	Better than ±0.2°C	Better than ±2°C	Better than ±2°C	Better than ±2°C	Better than ±2°C	Better than ±2 digits	
Linearisation	BS1904 : 1984	BS1904 : 1984	BS4937 : 1973 pt4	BS4937 : 1973 pt3	BS4937 : 1973 pt5	BS4937 : 1973 pt2	N/A	N/A
Cold Junction Compensation	N/A	N/A	Automatic	Automatic	Automatic	Automatic	N/A	N/A
Input Options	N/A	N/A	N/A	N/A	N/A	N/A	1 0/1V dc 2 0/10V dc 3 1/5V dc	4 0/2 mA dc 5 0/20 mA dc 6 4/20 mA dc
Broken sensor indication	N/A	N/A	Upscale	Upscale	Upscale	Upscale		
Ambient Temperature Range	0 / 50°C	0 / 50°C	0/50°C	0/50°C	0/50°C	0/50°C	0/50°C	0/50°C
Supply voltage	110/230V ac 50/60Hz							
Over range indication	Flashing front panel							
Retransmission Option	0/20mA or 4/20mA current output, max load 1000 ohm							
Transmitter Power Supply	N/A	N/A	N/A	N/A	N/A	N/A	24V dc regulated	24V dc regulated
Alarm Adjustment	From front panel	From front panel	From front panel	From front panel	From front panel	From front panel	From front panel	From front panel

Rototherm
instrumentation and control

British Rototherm Co. Ltd.,
Kenfig Industrial Estate, Margam,
Port Talbot, West Glamorgan,
SA13 2PW, United Kingdom
Tel: 01656 740551 Fax: 01656 745915
E-mail: rototherm@rototherm.co.uk
Web site: www.rototherm.co.uk



BS EN
ISO 9001
Registration
no: FM11958