

ANY ANGLE BIMETALLIC THERMOMETER



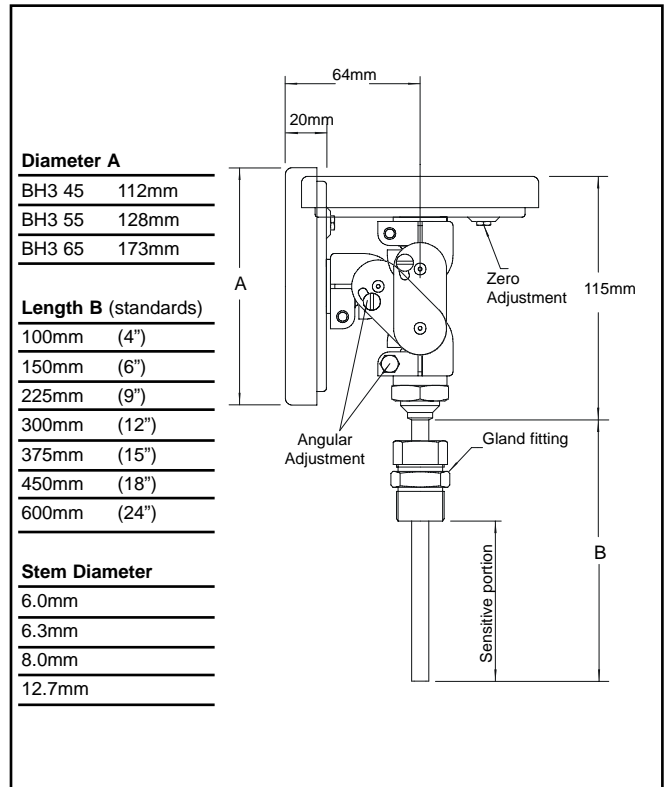
SPECIFICATION

Case & Bezel	Stainless steel (BS970:304S15), standard Stainless steel (BS970:316S16) non standard Weatherproof rated to IP65
Window	Glass as standard. Options: toughened glass or acrylic
Dial	Non ferrous metal clearly marked to BS3693 white with black scale marking
Stem	Stainless steel to BS970:316S16
Stem Diameters	6.0mm, 6.3mm, 8.0mm, 12.7mm
Maximum stem lengths	6.0mm & 6.3mm x 500mm, 8.0mm x 1000mm, 12.7mm x 1000mm
Immersion	Minimum immersion depends on temperature range (see table)
Fitting	Plain stem for fitting of compression gland or flange
Accuracy	±1% of span
Weight	1.0 Kg (average)

TEMPERATURE RANGES

Ranges		Sensitive Portion (mm)			
Single Scale	Dual Scale	Stem diameter (mm)			
°C	°F	°C & °F	6.0/6.3	8.0	12.7
-30/+60	-20/140	n/a	65	70	95
-20/120	n/a	n/a	45	50	75
0/60	n/a	n/a	85	90	100
0/100	20/220	0/100°C & F	55	60	80
0/120	n/a	n/a	50	55	80
0/160	0/300	n/a	40	45	65
0/200	n/a	n/a	35	40	65
0/250	n/a	n/a	30	35	65
50/250	n/a	50/250°C & F	35	40	65
0/300	n/a	n/a	40	45	60
0/400	0/800	n/a	30	35	55
0/500	n/a	n/a	30	35	55
100/550	200/1050	n/a	30	35	55

DIMENSIONS



ORDER CODE

100mm dial	BH345							
130mm dial	BH355							
160mm dial	BH365							

WINDOW

Glass (standard) A
Acrylic B
Toughened glass C

STEM DIAMETER

8mm is standard
(Options 6, 6.3 or 12.7mm)

STEM LENGTH

Insert stem length in mm

TEMPERATURE RANGE

From table

SILICONE FILLING*

No filling S
X

GLANDS

1/2" BSP 1
1/4" BSP 2
1/2" NPT 3
1/4" API 4
OTHER (state requirement) 5

*Silicone filling is suitable for working temperatures up to 80°C only

Rototherm
instrumentation and control

British Rototherm Co. Ltd.,
Kenfig Industrial Estate, Margam,
Port Talbot, West Glamorgan,
SA13 2PW, United Kingdom
Tel: 01656 740551 Fax: 01656 745915
E-mail: rototherm@rototherm.co.uk
Web site: www.rototherm.co.uk



BS EN
ISO 9001
Registration
no: FM11958