

PTx Pressure Transmitters

- **Stainless steel construction**
- **Pressure ranges up to 400 bar**
- **DIN43650 plug for easy installation**
- **Choice of process connections**

The Rototherm range of pressure transmitters provide a standardised 4-20mA output signal by utilising a ceramic diaphragm strain gauge mounted with an amplifier in a stainless steel housing.

The DIN43650 connector plugs into the transmitter, eliminating the need for soldering thus making field interchangeability an easy operation.

Temperature compensated sensors are fitted as standard to automatically correct zero and span drift.

PTx Pressure Transmitters can be supplied with hygienic fittings for food applications or with diaphragm seals for use on corrosive, viscous or crystallising fluids.



Specifications

Supply Voltage

8.5 to 36 V DC

Output Current

Operating 4 to 20 mA
Limits 2.5 to 30 mA

Materials

Pressure Block Stainless steel
Case Stainless steel
Wetted Parts Stainless steel
Alumina Ceramic
Fluorocarbon

Electrical Connection

DIN 43650 Type A

Pressure Connections

1/4" BSP/NPT or 1/2" BSP/NPT male thread

Temperature Range

Storage -25 to +105°C
Operating -10 to +85°C

Protection

IP67

Weight

235g

Insulation Test

>100 Mohm 500 V DC

Temperature Coefficient

Zero : ±0.04% FS/°C Span : ±0.04% FS/°C

Linearity / Hysteresis / Repeatability

±0.2

PTx Standard Pressure Ranges

Pressure Range	Burst Pressure
-1 to +1 bar	4 bar
0 to 1 bar	4 bar
0 to 2 bar	5 bar
0 to 2.5 bar	6.25 bar
0 to 6 bar	10 bar
0 to 10 bar	25 bar
0 to 16 bar	40 bar
0 to 20 bar	50 bar

Pressure Range	Burst Pressure
0 to 25 bar	62.5 bar
0 to 40 bar	100 bar
0 to 50 bar	125 bar
0 to 60 bar	150 bar
0 to 100 bar	175 bar
0 to 200 bar	280 bar
0 to 250 bar	400 bar
0 to 400 bar	700 bar

PTx Ordering Codes

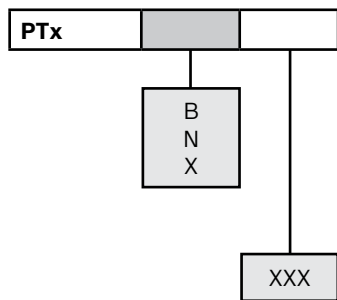
PTx Pressure Transmitter

Connection

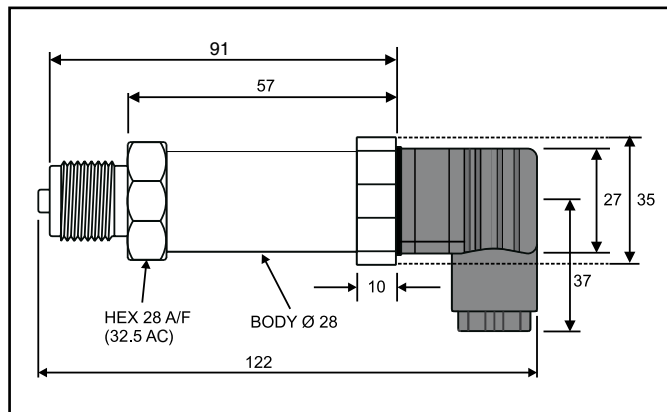
1/4" BSP male
 1/4" NPT male
 Other
 (please state requirement)

Pressure Range

Enter pressure range



PTx Dimensions



Dimensions are in mm



British Rotherm Company Limited

Kenfig Industrial Estate, Margam, Port Talbot SA13 2PW United Kingdom
 Telephone : +44 (0) 1656 740 551 Facsimile : +44 (0) 1656 745 915

E-mail : sales@rototherm.co.uk
 Web Site : www.rototherm.co.uk

sales@thermocouple.co.uk
 www.thermocouple.co.uk

