

TURRET Style Safety Pattern Pressure Gauge

- 115mm (4.5") dial size
- Phenolic case has high resistance to atmospheric and chemical corrosion
- Full safety pattern to EN837
- Available with stainless steel or Monel wetted parts
- Class 0.5 Accuracy to EN837 (dry gauges)

Turret style gauges are used extensively in harsh environments - primarily those found in chemical and off shore industries.

As part of their design, turret gauges are suitable for both direct and surface mounting, moulded spacer legs at three fixing points allow the back to blow out, even if the gauge is surface mounted.

Gauges are supplied as standard dry and sealed for liquid filling, or can be supplied ready filled.



Specifications & Dimensions

Case & Bezel

Phenolic case and screw bezel ring.

Pressure Element

Bourdon tube: 316 stainless steel or Monel 400 to NACE MR-01-75

Mountings

Direct or surface mounting

Connections

1/4", 1/2" NPT or 3/8", 1/2" BSP in 316 stainless steel or Monel 400 to NACE MR-01-75

Window

Safety glass as standard

Dial

Aluminium - white with black scale markings

Pointer

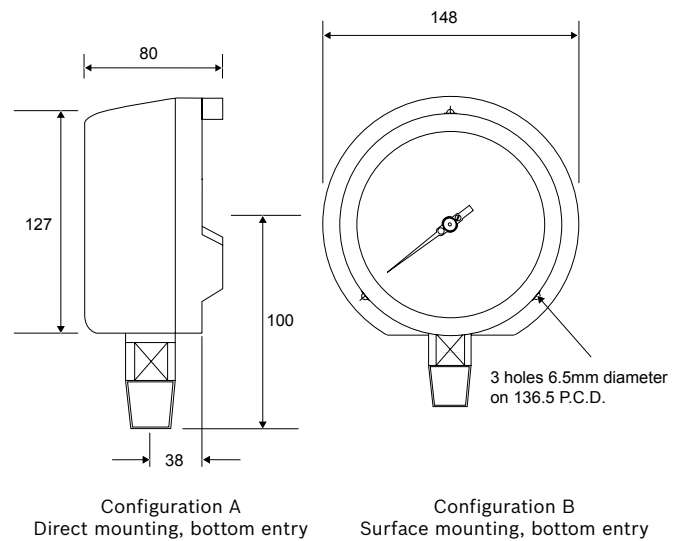
Aluminium, black finish, micrometer adjustable

Accuracy

Class 0.5 to EN837 (dry) Class 1 to EN837 (filled)

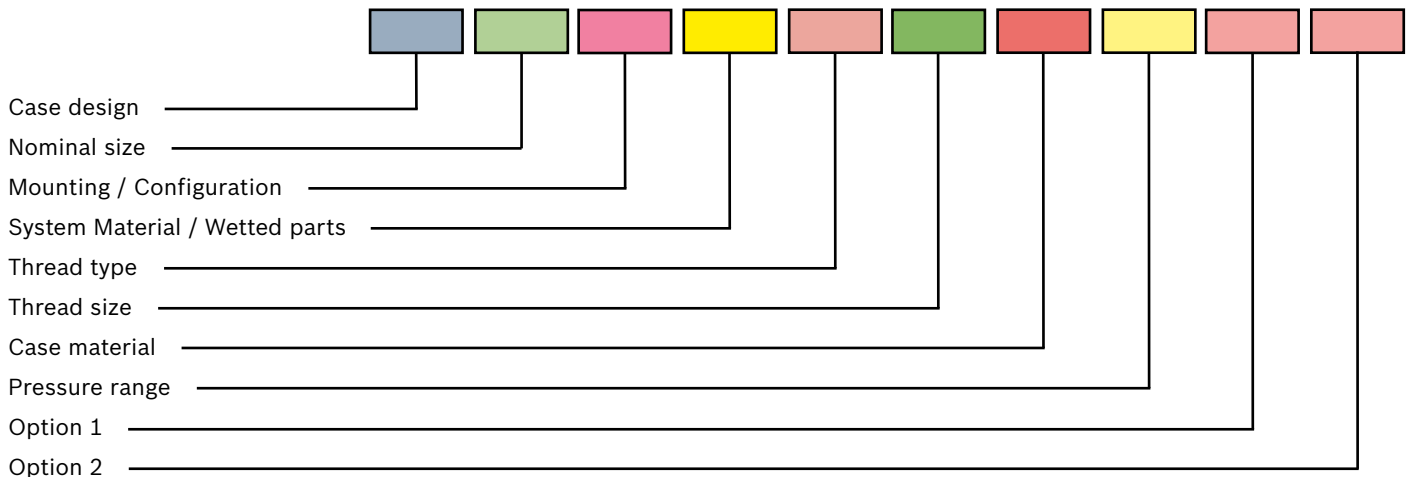
Weight

1.0 Kg (Dry) 1.5 Kg (Filled)



All dimensions are in mm. Drawings are for illustration purposes only

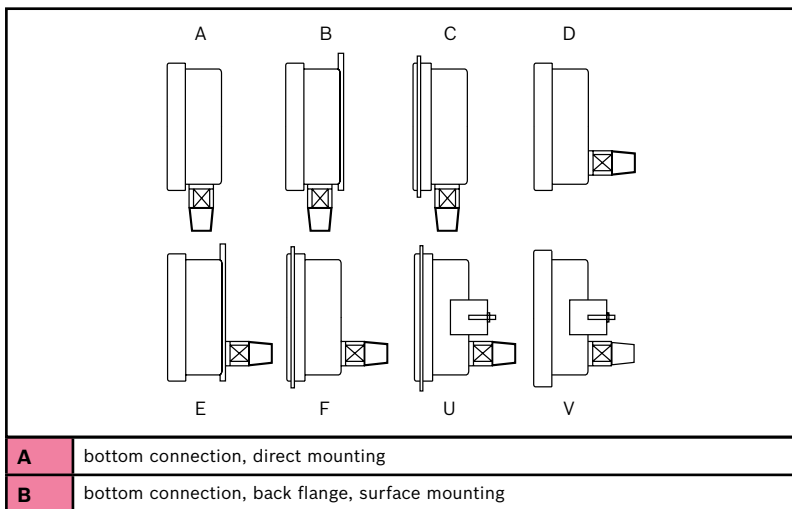
TURRET Style Pressure Gauge Ordering Information



1. Case type & nominal size

Case Code	Case & Bezel Material	Size Code	Nominal Size mm (inch)	Available Configuration
Turret	Phenolic (black plastic)	115	115 (4.5)	A B

2. Gauge configuration



3a. Bourdon tube system material

System Code	Socket / Block Material	Bourdon Tube Material
MM	Monel 400*	Monel 400*
SS	316 Stainless steel	316 Stainless steel
NS	Ni Span C	316 Stainless steel

* to NACE MR-01-75

Some materials may not be available for all gauge models. Please refer to individual gauge specifications, or alternatively contact Rototherm sales.

4. Thread type & size

Thread Type (first number)	Thread Size (second number)
0 = NPT	1 = 1/8"
1 = BSP	2 = 1/4"
2 = BSPT	3 = 3/8"
3 = API	4 = 1/2"

5. Case material

Q	Standard case (see case Type and Size)
----------	--

Example order code

TURRET	115	A	SS	1	4	Q	0-10bar	G	N
--------	-----	---	----	---	---	---	---------	---	---

- TURRET style safety pattern pressure gauge
- 115mm nominal dial size
- direct, bottom entry
- 316 stainless steel socket and bourdon tube
- 1/2" BSP male process connection
- standard case
- pressure range 0 to 10 bar
- glycerine fill option

6. Standard pressure ranges

Below is a list of standard pressure ranges that are available. gauges may be ordered with dual scales. Other units and non-standard ranges are available on request.

Imperial	Metric
3 to 15 psi receiver	0.2 to 1 bar
0 to 10" Wg	0 to 25 mbar
0 to 16" Wg	0 to 40 mbar
0 to 24" Wg	0 to 60 mbar
0 to 30" Wg	0 to 75 mbar
0 to 40" Wg	0 to 100 mbar
0 to 60" Wg	0 to 150 mbar
0 to 100" Wg	0 to 250 mbar
0 to 160" Wg	0 to 400 mbar
0 to 200" Wg	0 to 500 mbar
0 to 300" Wg	0 to 700 mbar
0 to 400" Wg	0 to 1000 mbar
0 to 30" Hg vacuum	0 to -1 bar vacuum
30" Hg to 15 psi	-1 to +1.5 bar
30" Hg to 30 psi	-1 to +3 bar
30" Hg to 60 psi	-1 to +5 bar
30" Hg to 100 psi	-1 to +9 bar

Equivalent units available include:

"Wg, "Hg, cm Wg, cm Hg, kg/cm², kPa and MPa.

Some ranges may not be available for all gauge models. Please refer to individual specification sheets or contact Rototherm sales.

Imperial	Metric
0 to 10 psi	0 to 600 mbar
0 to 15 psi	0 to 1 bar
0 to 25 psi	0 to 1.6 bar
0 to 30 psi	0 to 2.5 bar
0 to 60 psi	0 to 4 bar
0 to 100 psi	0 to 6 bar
	0 to 7 bar
0 to 120 psi	
0 to 160 psi	0 to 10 bar
0 to 200 psi	0 to 16 bar
0 to 300 psi	0 to 20 bar
0 to 400 psi	0 to 25 bar
0 to 600 psi	0 to 40 bar
0 to 800 psi	0 to 60 bar
0 to 1000 psi	0 to 70 bar
0 to 1600 psi	0 to 100 bar
0 to 2000 psi	0 to 160 bar
0 to 3000 psi	0 to 250 bar
0 to 4000 psi	
0 to 6000 psi	0 to 400 bar
0 to 10000 psi	0 to 600 bar
0 to 15000 psi	
0 to 16000 psi	0 to 1000 bar

7. Options

No option = NN, one option = selected letter then N, Two options = list from below alpha-numerically.

N	No option	O	Oxygen cleaned
X	Special instruction - please state	P	Perspex window
C	Customer drawing or specification	R	Internal Restrictor fitted
D	Defence Standard 66/2	S	Internal stops
E	Electrical Contact Head	T	Drag pointer
G	Glycerine filled	V	Low magnetic permeability
H	0.5% accuracy	W	Test gauge (0.25% accuracy)
J	Red setting pointer	Y	Damped Movement
L	No aluminium (for underground use)	Z	Wetted parts to NACE MR-01-75

Some options may not be available for all gauge models. Please refer to individual gauge specifications, or contact Rototherm sales.



British Rototherm Company Limited

Kenfig Industrial Estate, Margam, Port Talbot SA13 2PW United Kingdom

Telephone : +44 (0) 1656 740 551 Facsimile : +44 (0) 1656 745 915

E-mail : sales@rototherm.co.uk

Web Site : www.rototherm.co.uk

sales@thermocouple.co.uk

www.thermocouple.co.uk

