

Model **ORP**

Over Range Gauge Protector

Pressure Gauge Accessory

Design Features

- Over range protector designed to protect gauges instruments etc, from surges in pressure
- Available in shut-off ranges from 0.4 bar to 400 bar
- Maximum inlet pressure 600 bar
- Bonnet locking pin - safely locks bonnet to body. Maximum temperature 80 deg.C, for ranges 0.4- 2.5 bar and 110 deg.C, for ranges 2.5 - 400 bar
- Can be supplied to NACE MR-01-75-Latest edition
- Materials:- 316 STST-monel-brass etc.

Inlet Connection Size

(select M or F or Male / Female)

NPT	BSP	BSPT
1/4"	1/4"	1/4"
3/8"	3/8"	3/8"
1/2"	1/2"	1/2"
3/4"	3/4"	3/4"
1"	1"	1"

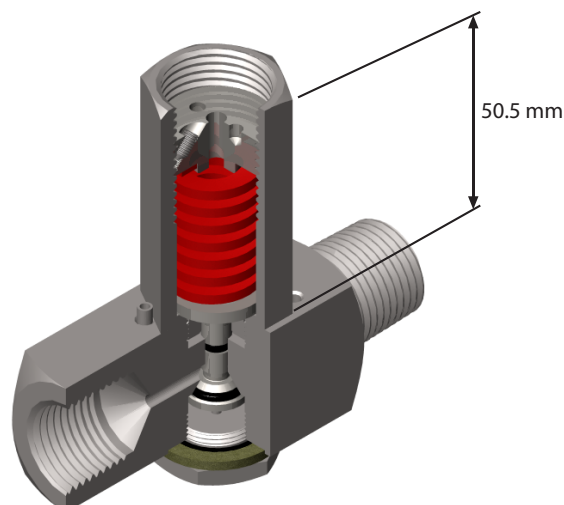
Outlet Connection Size

(select M or F or Male / Female)

NPT	BSP	BSPT
1/4"	1/4"	1/4"
3/8"	3/8"	3/8"
1/2"	1/2"	1/2"
3/4"	3/4"	3/4"
1"	1"	1"

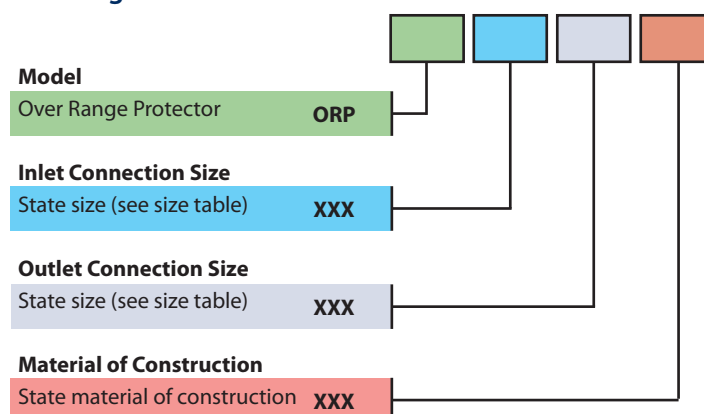
Materials Available

AISI 316 Stainless Steel (DIN 1.4401)
 Monel
 Hastelloy
 Incolloy 625
 Titanium
 Duplex UNS S31803
 Super Duplex UNS S32760



Overall Dimensions = 29mm a/f sq, 86mm long body.

Ordering Information



ISO9001:2008

British Rototherm Company Limited

Kenfig Industrial Estate, Margam, Port Talbot SA13 2PW United Kingdom

Telephone : +44 (0) 1656 740 551

E-mail : sales@rototherm.co.uk

Facsimile : +44 (0) 1656 745 915

Web Site : www.rototherm.co.uk

