

# Diesel Exhaust Thermometers

Data Sheet Reference : NR3-2007

The Rototherm range of diesel exhaust thermometers provide an accurate and reliable indication of the exhaust gas temperature of diesel engines and generators.

The stem is fitted with a unique anti-resonant section which dampens out vibration of the instrument head, and eliminates the need for oil filling.

The use of the capillary type enables all the dials to be located on a single panel to provide immediate visual comparison of the performance of each cylinder.



## Models

### Rigid Stem Diesel Exhaust Thermometer

Model	Dial Size	Mounting	Filling
NR3 42	100mm	Bottom entry	Filsafe Non Toxic
NR3 46	100mm	Back entry	Filsafe Non Toxic

### Capillary Diesel Exhaust Thermometer

Model	Dial Size	Mounting	Filling
NC3 42	100mm	Bottom entry	Filsafe Non Toxic

## Specifications - NC3 & NR3

### Case & Bezel

NC3 Diecast aluminium, finished black, suitable for flush or panel mounting.

NR3 Glass-filled polyester resin, non-toxic, fire retardant, finished black

### Dial

100mm diameter (nominal) marked with black characters on white background.

### Window

Glass

### Bulb/Stem

Mild steel

### Bulb Dimensions (NC3)

12.7mm diameter. 292mm length with 1/2" BSP gland. Sensitive portion, 110mm approx. indicated by shallow waisting.

### Bulb Dimensions (NR3)

12.7mm or 15.9mm diameter. with 12.7mm bulb and anti-resonant head section. Minimum immersion, 100mm

### Capillary (NC3)

Microbore steel tube, with 6.3mm diameter flexible stainless steel armour 3 metres long as standard. Other lengths available in increments of 1 metre to a maximum of 30 metres.

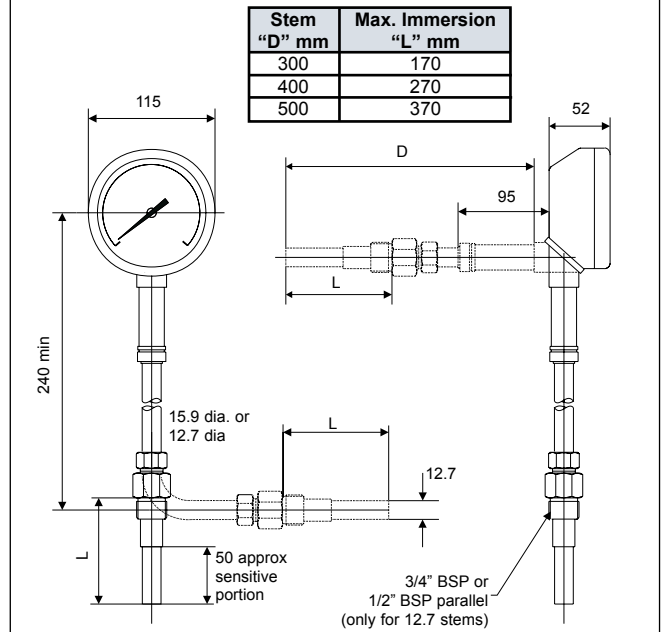
### Temperature Ranges

0/650°C, 0/1200°F or dual scale

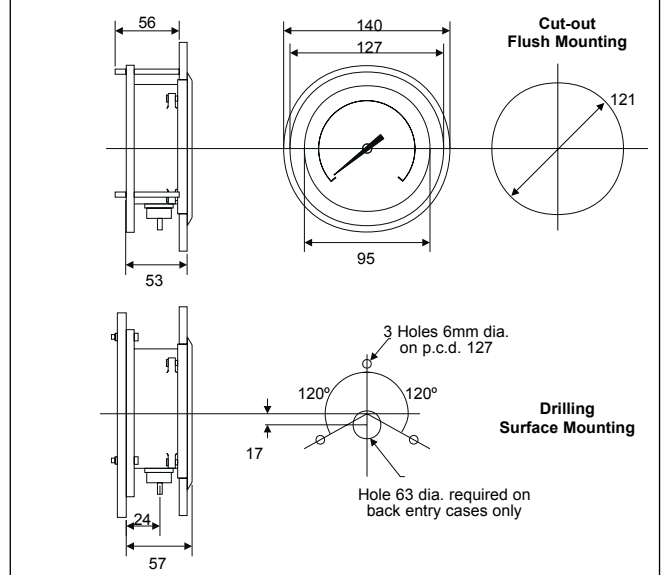
### Accuracy

±1% FSD

## Rigid Stem Type Dimensions



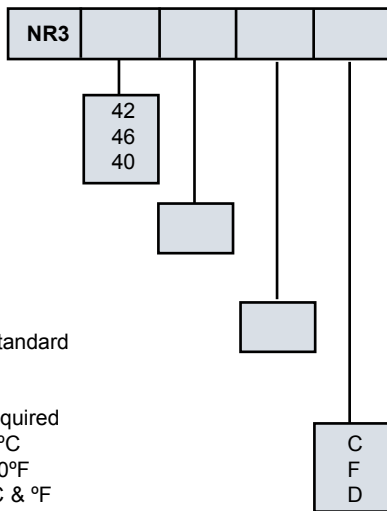
## Capillary Type Dimensions



All dimensions are in mm. Drawings are for illustration purposes only.

### Order Code - Rigid Stem Thermometer

Non Toxic Filled rigid stem diesel thermometer



**STEM ENTRY**

Bottom entry  
Back entry  
Non standard entry

**STEM DIAMETER**

Insert 15.9 or 12.7mm

**STEM LENGTH**

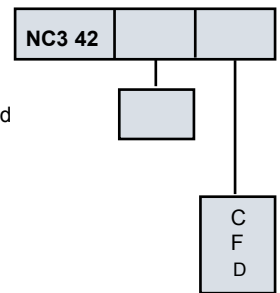
Insert stem length in mm.  
300, 400 and 500mm are standard

**TEMPERATURE RANGE**

Insert temperature range required  
0 / 650°C  
0 / 1200°F  
Dual °C & °F

### Order Code - Capillary Thermometer

Non Toxic Filled Capillary Thermometer



**CAPILLARY LENGTH**

Specify length in metres, 3m is standard

**TEMPERATURE RANGE**

Insert temperature range required  
0 / 650°C  
0 / 1200°F  
Dual °C & °F



**British Rotherm Company Limited**

Kenfig Industrial Estate, Margam, Port Talbot SA13 2PW United Kingdom  
Telephone : +44 (0) 1656 740 551 Facsimile : +44 (0) 1656 745 915

E-mail : sales@rototherm.co.uk  
Web Site : www.rototherm.co.uk

sales@thermocouple.co.uk  
www.thermocouple.co.uk

