

# Model KNY Connection Head

- General Purpose
- Aluminium Alloy Construction
- Weatherproof IP65
- Suitable for Terminal Blocks or Temperature Transmitters

## General Description

The model KNY is a general purpose epoxy painted, die cast aluminium connection head. It has an 'O' ring sealed screwed lid, with a stainless steel retention chain. The KNY has an Ingress Protection rating of IP65.

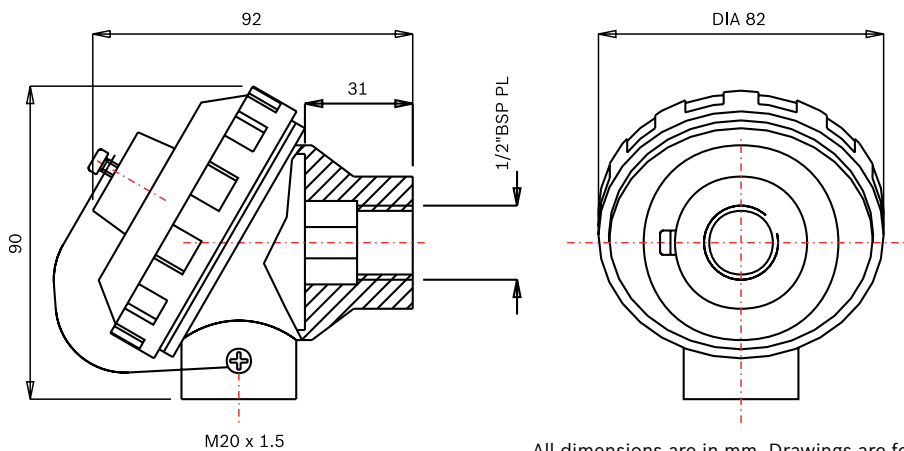


Model KNY Connection Head

## Technical Specification

Model	Process Entry	Cable Entry	IP Rating	Duty	Material
KNY	1/2" BSP	M20	IP65	General Purpose	Aluminium Alloy

## KNY Dimensions



All dimensions are in mm. Drawings are for illustration purposes only

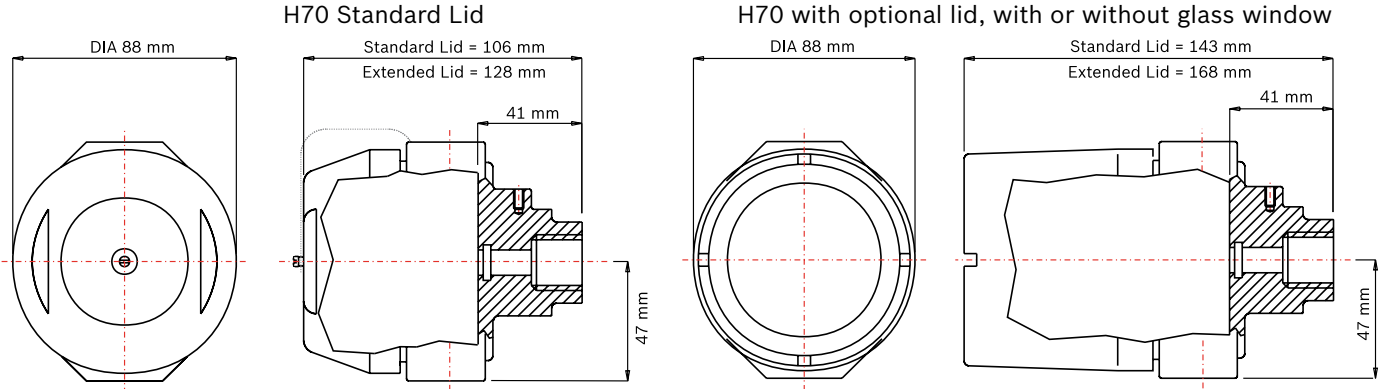


**British Rotherm Company Limited**  
 Kenfig Industrial Estate, Margam, Port Talbot SA13 2PW United Kingdom  
**Telephone** : +44 (0) 1656 740 551 **Facsimile** : +44 (0) 1656 745 915

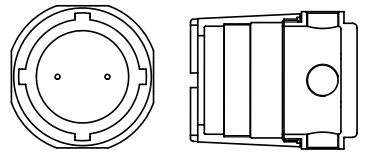
**E-mail** : [sales@rototherm.co.uk](mailto:sales@rototherm.co.uk) [sales@thermocouple.co.uk](mailto:sales@thermocouple.co.uk)  
**Web Site** : [www.rototherm.co.uk](http://www.rototherm.co.uk) [www.thermocouple.co.uk](http://www.thermocouple.co.uk)



### H70 Dimensions



The extended lid versions can accommodate two temperature transmitters.  
The extended lid version with the window can accommodate two transmitters and an indicator.  
\* Depends on transmitter make and model



H70 with 4 cable entry option (shown smaller)