

Model DP3

Double Welded Diaphragm Differential Pressure Gauges

Models: DP362



DP362

- Ranges between 100 mBar and 25 bar
- Static Pressure 200 bar
- Scale Angle 270° - accuracy class 1.6
- Class 1 Accuracy to EN837

Model DP3

Double Welded Diaphragm Differential Pressure Gauges



A range of economically priced 100mm and 150mm nominal size differential pressure gauges ideally suited to most industrial applications where accuracy and durability is required.

Model DP362 gauges are available with ranges between 100 mBar and 25 bar and have a maximum static pressure of 200 bar.

A choice of mounting options enables simple installation - either direct mounting to the process, in a panel, surface mounting on a wall or with a vertical or horizontal pipe mounting.

DP362 instruments are available with electrical contact head options and can be fitted with diaphragm seal units.

Nominal Sizes

100 and 150mm.

Mounting

Direct mounting, surface mounting with clamp, back panel flush mounting, 2" vertical or horizontal pipe mounting

Case and Bezel

Case and bezel in AISI 304 stainless steel (AISI 316 on request - option) with bayonet bezel.

Ingress Protection

IP 55 for pipe mounting (dry); IP 65 for liquid filled and for liquid fillable.

Window

Standard glass for dry gauges. Methacrylate for liquid filled and fillable gauges. Laminated safety glass (on request).

Filling Liquid

Silicone fluid (standard)

Pressure Connections

AISI 316L stainless steel: 1/4" to 1/8" NPT (1/4 NPT female) (standard); G 1/2 B (1/2 BSP male) or 1/2-14 NPT EXT (1/2 NPT male) (on request).

Pressure Element

Model DP 362:

AISI 316L 1.4435 stainless steel double welded diaphragm for measuring ranges included between 100 mbar and 4 bar;
Duratherm (Co Ni Cr Mo alloy) double welded diaphragm for ranges included between 6 and 25 bar.

Note: AISI 316L 1.4435 is in accordance with NACE standards.

Static Pressure

For all scale ranges, apart from the pressure entry in one or both connections:

200 bar for model DP 362;

400 bar for model DP 362 (available on request).

Differential Cell (material and sizes)

AISI 316L stainless steel: DP 352, 150mm x 150mm;

DP 362 100mm x 100mm

Differential Element Filling Liquid

silicone fluid (standard); fluoride fluid (for oxygen service); food compatible fluid (on request only).

Differential Cell Gaskets

Nitrile rubber (NBR); FPM (Viton®) on request.

Ranges

Standard ranges for pressure values between 25 mbar and 25 bar: Other ranges and dial markings are available upon request

Units of Pressure

mbar, bar, kPa, kg/cm² and psi for single or double range.

Scale Angle

270° Note: scale angle is 180° with ranges 0-25 mbar for model DP 352 and 0-100 mbar for model DP362

Accuracy

Class 1,6 ($\pm 1,6\%$ of full scale deflection);

Class 1 ($\pm 1\%$ of full scale deflection)

Note : If an electric contact is fitted the accuracy of the gauge is approximately doubled.

Pointer

Aluminium with micrometer adjustment.

Dial

White aluminium with black figures

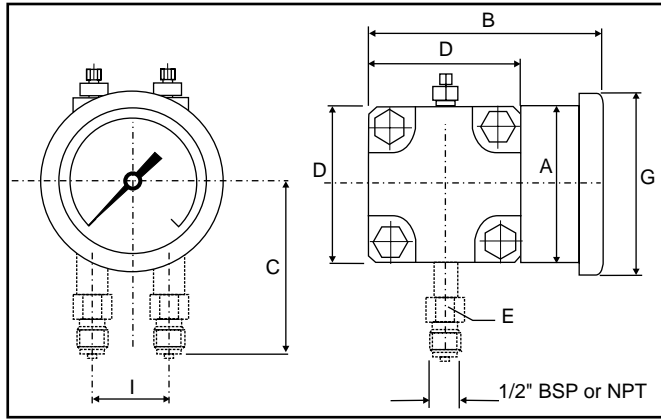
Movement

Stainless steel.



Model DP362 gauge fitted with optional electric contact head

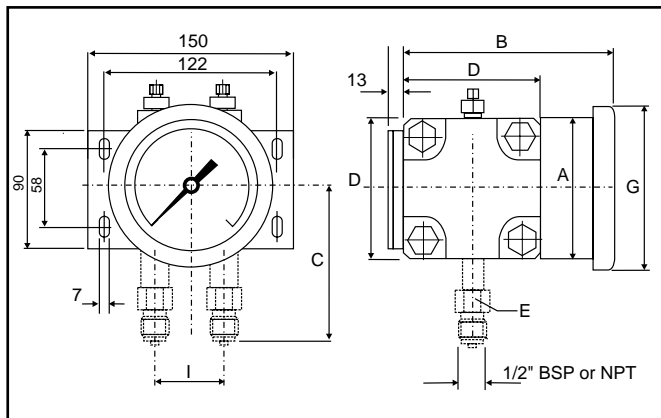
■ Dimensions & Mountings



Model DP3 Direct Mounting - Configuration A

Model	DN	A	B	C	D	E	G	I
DP362-A	100	103	200	137	150	22	118	54
	150	150	200	137	150	22	166	54
DP362-A	100	103	150	112	100	22	118	54
	150	150	150	112	100	22	166	54

All dimensions are in mm

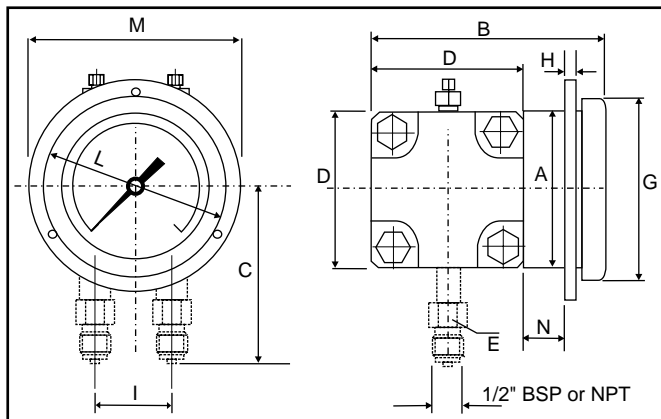


Model DP3 Surface Mounting - Configuration B

Surface mounting with clamp differential pressure gauge

Model	DN	A	B	C	D	E	G	I
DP362-B	100	103	200	137	150	22	118	54
	150	150	200	137	150	22	166	54
DP362-B	100	103	150	112	100	22	118	54
	150	150	150	112	100	22	166	54

All dimensions are in mm

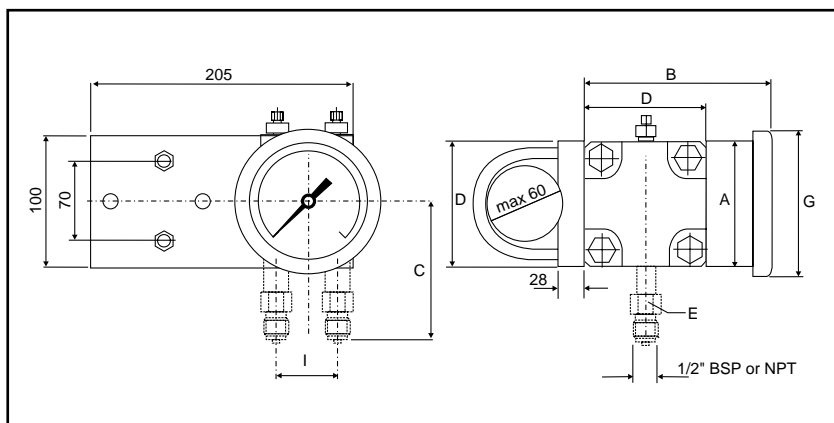


Model DP3 Panel Mounting - Configuration C

Back panel flush mounting with 3 fixing holes

Model	DN	A	B	C	D	E	G	H	I	L	M	N
DP362-C	100	103	200	137	150	22	118	7	54	126	140	27
	150	150	200	137	150	22	166	7	54	178	192	27
DP362-C	100	103	150	112	100	22	118	7	54	126	140	27
	150	150	150	112	100	22	166	7	54	178	192	27

All dimensions are in mm



Model DP3 Pipe Mounting - Configuration D

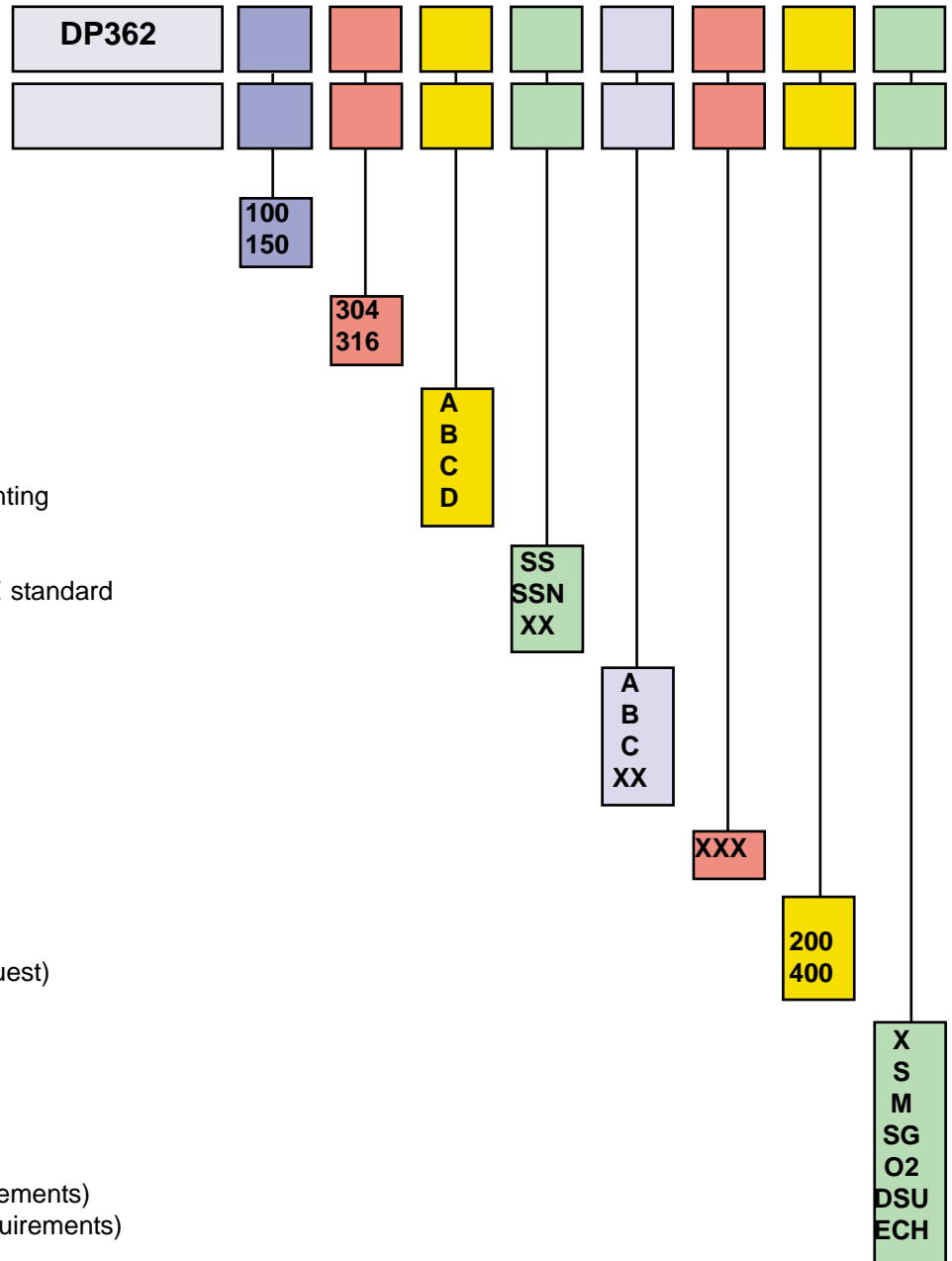
Horizontal or vertical 2\"/>

Model	DN	A	B	C	D	E	G	I
DP362-D	100	103	200	137	150	22	118	54
	150	150	200	137	150	22	166	54
DP362-D	100	103	150	112	100	22	118	54
	150	150	150	112	100	22	166	54

All dimensions are in mm

■ DP3 Differential Pressure Gauge Ordering Code

DP362



Dial Size

100 mm
150 mm

Case Material

304 stainless steel
316 stainless steel

Mounting/Configuration

Direct mounting
Surface mounting with clamp
Panel mounting with 3 hole fixing
Horizontal or vertical 2" pipe mounting

Wetted Parts

AISI 316L stainless steel
AISI 316L stainless steel to NACE standard
Other (state requirement)

Connection Size

1/4" NPT female
1/2" BSP
1/2" NPT male (on request)
Other (state requirement)

Pressure Range

Enter pressure range and units

Maximum Static Pressure

200 bar for model DP362
400 bar for model DP362 (on request)

Special details

No Special Details
Silicone filled case
Maximum pointer
Safety Glass Window
Oxygen Service
Diaphragm Seal Unit (state requirements)
Electrical Contact Head (state requirements)

Example Order Code



Model DP362 Differential Pressure Gauge. 100 mm dial size, 304 stainless steel case material, 2" pipe mounting, bottom entry, AISI 316L stainless steel wetted parts, 1/4" NPT connections, 0 to 10 bar, 200 bar maximum static pressure, no special details.



British Rototherm Company Limited

Kenfig Industrial Estate, Margam, Port Talbot SA13 2PW, United Kingdom

Telephone: +44 (0) 1656 740 551 Facsimile: +44 (0) 1656 745 915 E-mail: sales@rototherm.co.uk Web site: www.rototherm.co.uk

This literature is for guidance only. It does not constitute recommendations, representations or advice, nor is it part of any contract. In keeping with British Rototherm's policy for continual product development and improvement, we reserve the right to amend specifications without notice. © 2007 British Rototherm Co. Ltd. All rights reserved.



ISO9001:2000
FM11958