

DP360 Independent Diaphragm Differential Pressure Gauge



DP3 Series Differential Pressure Gauges



A range of economically priced 100mm and 150mm nominal size differential pressure gauges ideally suited to most industrial applications where accuracy and durability is required.

Model DP360 gauges are available with ranges between 160 mBar and 25 bar and have a maximum static pressure of 100 bar.

A choice of mounting options enables simple installation - either direct mounting to the process, in a panel, surface mounting on a wall or with a vertical or horizontal pipe mounting.

DP360 instruments are available with electrical contact head options and can be fitted with diaphragm seal units.

Nominal Sizes

100 and 150mm.

Mounting

Direct mounting, surface mounting with clamp, back panel flush mounting, 2" vertical or horizontal pipe mounting

Case and Bezel

Case and bezel in AISI 304 stainless steel (AISI 316 on request - option) with bayonet bezel.

Ingress Protection

IP 55 for pipe mounting (dry); IP 65 for liquid filled and for liquid fillable.

Window

Standard glass for dry gauges. Methacrylate for liquid filled and fillable gauges. Laminated safety glass (on request).

Filling Liquid

Silicone fluid (standard)

Pressure Connections

AISI 316L stainless steel: 1/4" to 1/8" NPT (1/4 NPT female) (standard); G 1/2 B (1/2 BSP male) or 1/2-14 NPT EXT (1/2 NPT male) (on request).

Pressure Element

AISI 316Ti 1.4571 stainless steel independent diaphragm for measuring ranges between 160 mBar and 25 bar

Static Pressure

For all scale ranges, apart from the pressure entry in one or both connections: 100 bar for model DP360

Differential Cell (material and sizes)

AISI 316L stainless steel

Differential Element Filling Liquid

silicone fluid (standard); fluoride fluid (for oxygen service); food compatible fluid (on request only).

Differential Cell Gaskets

Nitrile rubber (NBR); FPM (Viton®) on request.

Ranges

Standard ranges for pressure values between 160 mbar and 25 bar: Other ranges and dial markings are available upon request

Units of Pressure

mbar, bar, kPa, kg/cm² and psi for single or double range.

Scale Angle

270° Note: scale angle is 180° with ranges 0-160 mbar

Accuracy

Class 1,6 ($\pm 1,6\%$ of full scale deflection)

Note : If an electric contact is fitted the accuracy of the gauge is approximately doubled.

Pointer

Aluminium with micrometer adjustment.

Dial

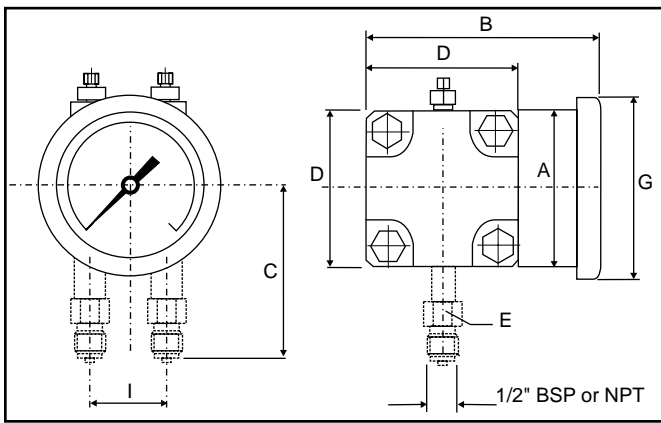
White aluminium with black figures

Movement

Stainless steel



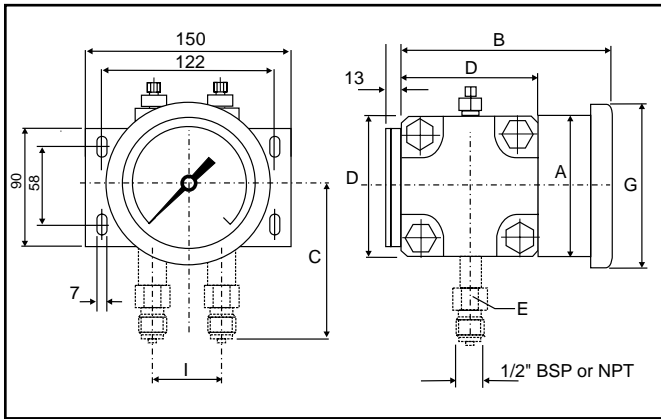
Model DP362 gauge fitted with optional electric contact head



Model DP360 Direct Mounting - Configuration A

| Model | DN | A | B | C | D | E | G | I |
|---------|-----|-----|-----|-----|-----|----|-----|----|
| DP360-A | 100 | 103 | 150 | 112 | 100 | 22 | 118 | 54 |
| | 150 | 150 | 150 | 112 | 100 | 22 | 166 | 54 |

All dimensions are in mm

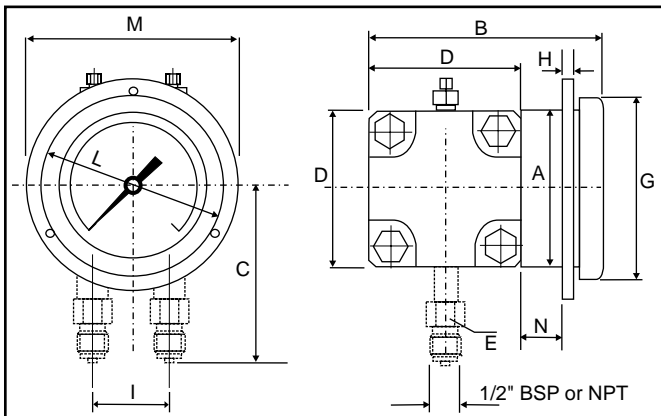


Model DP360 Surface Mounting - Configuration B

Surface mounting with clamp differential pressure gauge

| Model | DN | A | B | C | D | E | G | I |
|---------|-----|-----|-----|-----|-----|----|-----|----|
| DP360-B | 100 | 103 | 112 | 100 | 150 | 22 | 118 | 54 |
| | 150 | 150 | 112 | 100 | 150 | 22 | 166 | 54 |

All dimensions are in mm

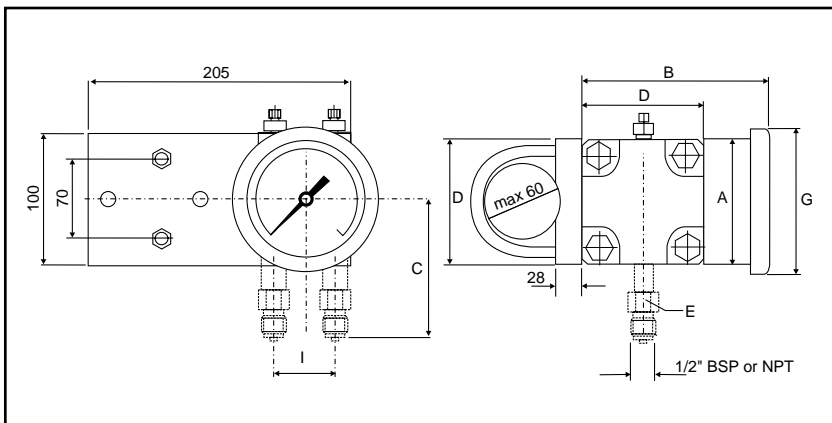


Model DP360 Panel Mounting - Configuration C

Back panel flush mounting with 3 fixing holes

| Model | DN | A | B | C | D | E | G | H | I | L | M | N |
|---------|-----|-----|-----|-----|-----|----|-----|---|----|-----|-----|----|
| DP360-C | 100 | 103 | 150 | 112 | 100 | 22 | 118 | 7 | 54 | 126 | 140 | 27 |
| | 150 | 150 | 150 | 112 | 100 | 22 | 166 | 7 | 54 | 178 | 192 | 27 |

All dimensions are in mm



Model DP360 Pipe Mounting - Configuration D

Horizontal or vertical 2" pipe mounting with AISI 304 stainless steel support

| Model | DN | A | B | C | D | E | G | I |
|---------|-----|-----|-----|-----|-----|----|-----|----|
| DP352-D | 100 | 103 | 150 | 112 | 100 | 22 | 118 | 54 |
| | 150 | 150 | 150 | 112 | 100 | 22 | 166 | 54 |

All dimensions are in mm

DP360 Differential Pressure Gauge Ordering Code

DP360

Dial Size

100 mm
150 mm

Case Material

304 stainless steel
316 stainless steel

Mounting/Configuration

Direct mounting
Surface mounting with clamp
Panel mounting with 3 hole fixing
Horizontal or vertical 2" pipe mounting

Wetted Parts

AISI 316L stainless steel
AISI 316L stainless steel to NACE standard
Other (state requirement)

Connection Size

1/4" NPT female
1/2" BSP
1/2" NPT male (on request)
Other (state requirement)

Pressure Range

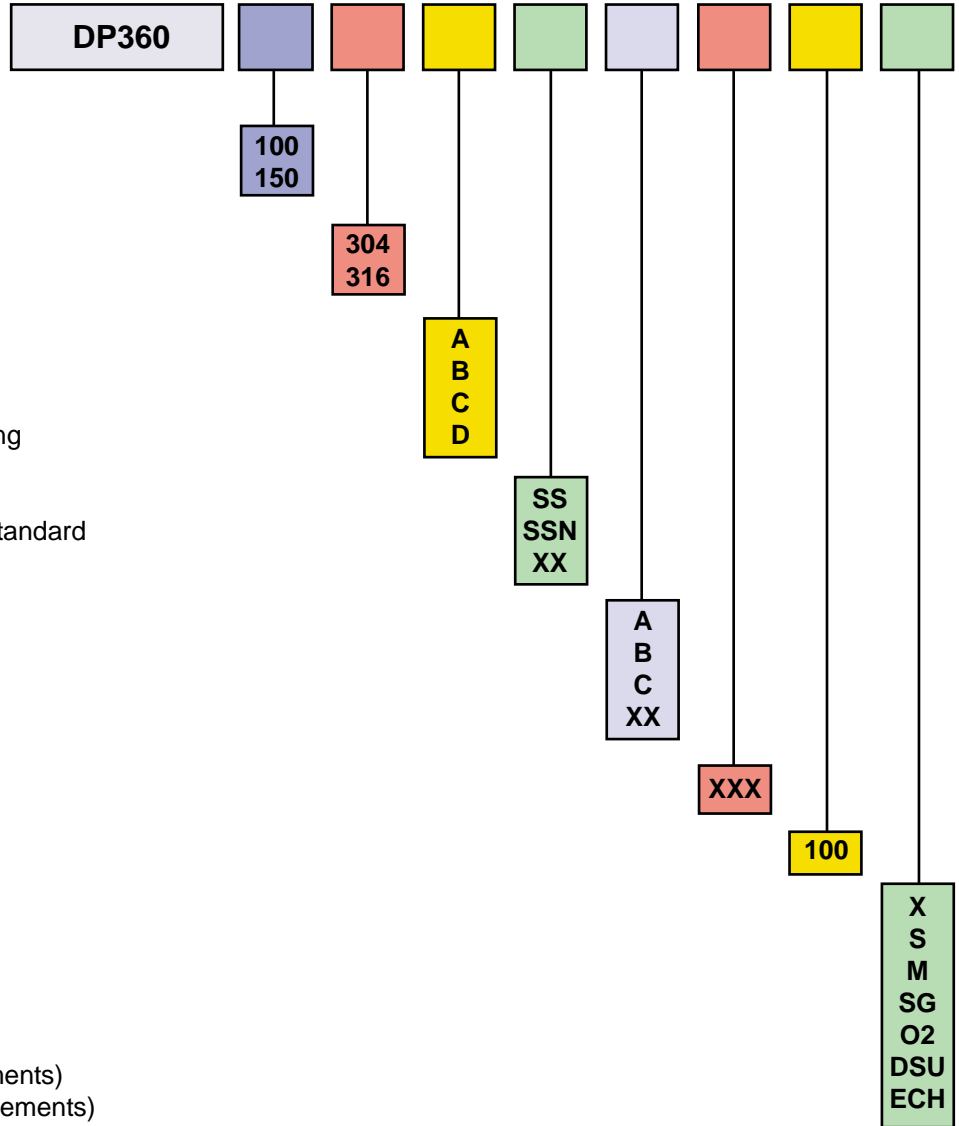
Enter pressure range and units

Maximum Static Pressure

100 bar

Special details

No Special Details
Silicone filled case
Maximum pointer
Safety Glass Window
Oxygen Service
Diaphragm Seal Unit (state requirements)
Electrical Contact Head (state requirements)



Example Order Code



Model DP360 Differential Pressure Gauge. 100 mm dial size, 304 stainless steel case material, 2" pipe mounting, bottom entry, AISI 316L stainless steel wetted parts, 1/4" NPT connections, 0 to 10 bar, 100 bar maximum static pressure, no special details.

British Rototherm Company Limited

Kenfig Industrial Estate, Margam, Port Talbot SA13 2PW, United Kingdom

Telephone: +44 (0) 1656 740 551 Facsimile: +44 (0) 1656 745 915 E-mail: sales@rototherm.co.uk Web site: www.rototherm.co.uk



your local Rototherm distributor

