

DMC Cased Safety Pattern Pressure Gauge

- Available in 100mm and 150mm dial sizes
- DMC case has high resistance to atmospheric and chemical corrosion
- DMC case can withstand 160°C direct heat without distortion.
- Full safety pattern to EN837
- Adjustable micrometer pointer available
- Class 1 Accuracy to EN837
- Simple installation and low maintenance
- Available with electrical contact head systems
- Can be used inconjunction with Rototherm Diaphragm Seal Units



The ideal instrument for petrochemical applications both on and off shore.

DMC (Dough Moulded Compound) material has a high resistance to atmospheric and chemical corrosion and high temperatures, being able to withstand 160°C direct heat without distortion.

DMC gauges are safety pattern gauges with a solid front and blow out back.

Specifications & Dimensions

Case & Bezel

Black DMC (Dough Moulded Compound) safety pattern case.
DMC screw on type bezel. Weatherproof to IP65.
100mm and 150 mm nominal sizes.

Element

Bourdon tube in 316 stainless steel or Monel 400 to NACE spec MR-01-75

Pressure Ranges

Vacuum to 1000 bar
Please refer to standard pressure ranges.

Connections

3/8" + 1/2" (NPT - BSP) other connections available on request.

Mounting

Direct, panel (100mm dial size only) or surface mounting

Window

Safety glass as standard

Dial

Aluminium - white with black scale markings

Pointer

Aluminium, black finish (micrometer adjustable option)

Movement

Stainless steel

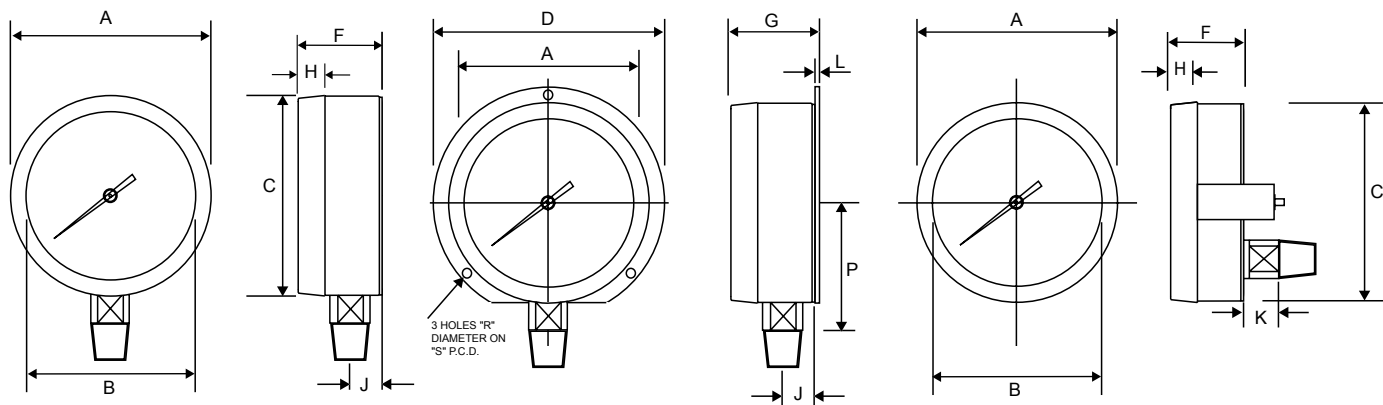
Accuracy

Class 1 to EN837 (Class 0.5 option)

Weight

100mm Dry 600g

150mm Dry 1.1Kg



Configuration A
Fig 421 Direct mounting, bottom entry

Configuration B
Fig 424 Surface mounting, bottom entry

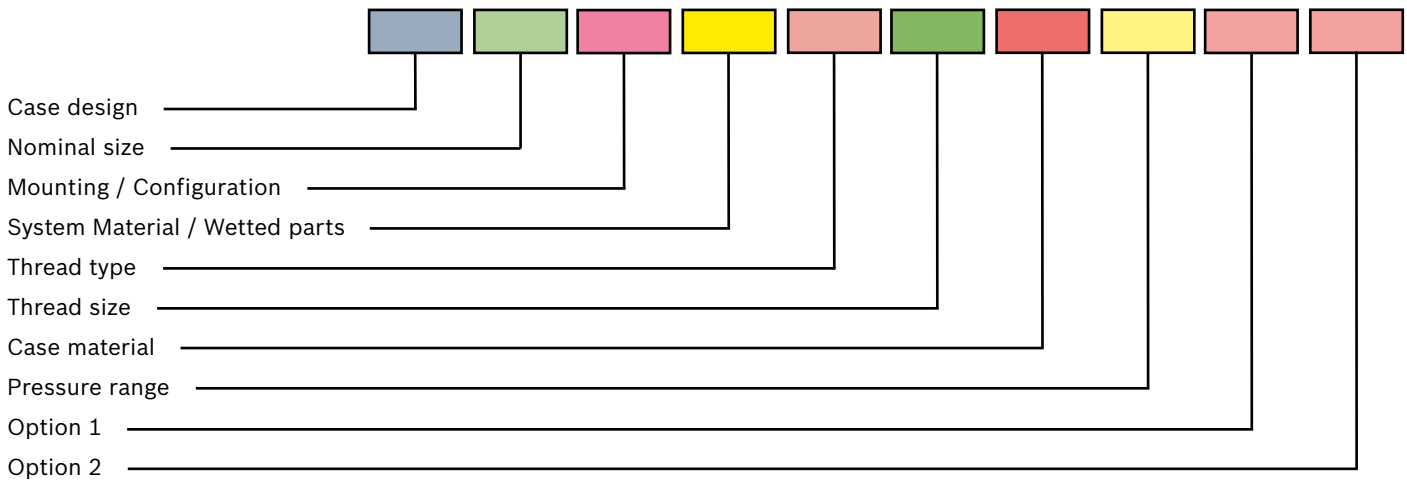
Configuration V
Fig 428C Panel mounting, back entry - 150mm dial gauge only

All dimensions are in mm. Drawings are for illustration purposes only

Model / Nominal Size	A	B	C	D	F	G	H	J	K	L	P	R	S
DMC100 (100mm)	111	92	109	127	48	50	23	16	16	3	65	5.4	116
DMC150 (150mm)	170	145	162	188	68	68	25	26	14	6	97	5.5	173

For DMC150, panel hole diameter = 165mm

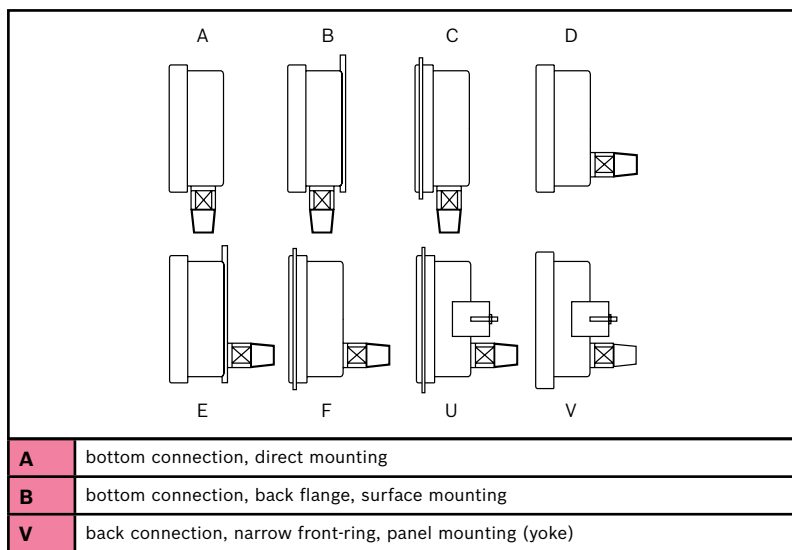
DMC Cased Pressure Gauge Ordering Information



1. Case type & nominal size

Case Code	Case & Bezel Material	Size Code	Nominal Size mm (inch)	Available Configuration
DMC	Dough Moulded Compound	100 150	100 (4) 150 (6)	A B D V* (150mm dial only)

2. Gauge configuration



3a. Bourdon tube system material

System Code	Socket / Block Material	Bourdon Tube Material
BB	Brass	Bronze
BS	Brass	316 Stainless steel
MM	Monel 400*	Monel 400*
SS	316 Stainless steel	316 Stainless steel
NS	Ni Span C	316 Stainless steel

* to NACE MR-01-75

3b. Capsule system material

System Code	Socket / Block Material	Capsule Material
BB	Brass	Beryllium copper
SS	316 Stainless steel	316 Stainless steel

Some materials may not be available for all gauge models. Please refer to individual gauge specifications, or alternatively contact Rototherm sales.

4. Thread type & size

Thread Type (first number)	Thread Size (second number)
0 = NPT	1 = 1/8"
1 = BSP	2 = 1/4"
2 = BSPT	3 = 3/8"
3 = API	4 = 1/2"

5. Case material

Q	Standard case (see case Type and Size)
----------	--

Example order code

DMC	100	A	SS	1	4	Q	0-10bar	G	N
------------	------------	----------	-----------	----------	----------	----------	----------------	----------	----------

- Model DMC safety pattern pressure gauge
- 100mm nominal dial size
- direct, bottom entry
- 316 stainless steel socket and bourdon tube
- 1/2" BSP male process connection
- standard case material
- pressure range 0 to 10 bar
- glycerine fill option

6. Standard pressure ranges

Below is a list of standard pressure ranges that are available. gauges may be ordered with dual scales. Other units and non-standard ranges are available on request.

Imperial	Metric
3 to 15 psi receiver	0.2 to 1 bar
0 to 10" Wg	0 to 25 mbar
0 to 16" Wg	0 to 40 mbar
0 to 24" Wg	0 to 60 mbar
0 to 30" Wg	0 to 75 mbar
0 to 40" Wg	0 to 100 mbar
0 to 60" Wg	0 to 150 mbar
0 to 100" Wg	0 to 250 mbar
0 to 160" Wg	0 to 400 mbar
0 to 200" Wg	0 to 500 mbar
0 to 300" Wg	0 to 700 mbar
0 to 400" Wg	0 to 1000 mbar
0 to 30" Hg vacuum	0 to -1 bar vacuum
30" Hg to 15 psi	-1 to +1.5 bar
30" Hg to 30 psi	-1 to +3 bar
30" Hg to 60 psi	-1 to +5 bar
30" Hg to 100 psi	-1 to +9 bar

Equivalent units available include:

"Wg, "Hg, cm Wg, cm Hg, kg/cm², kPa and MPa.

Some ranges may not be available for all gauge models. Please refer to individual specification sheets or contact Rototherm sales.

Imperial	Metric
0 to 10 psi	0 to 600 mbar
0 to 15 psi	0 to 1 bar
0 to 25 psi	0 to 1.6 bar
0 to 30 psi	0 to 2.5 bar
0 to 60 psi	0 to 4 bar
0 to 100 psi	0 to 6 bar
	0 to 7 bar
0 to 120 psi	
0 to 160 psi	0 to 10 bar
0 to 200 psi	0 to 16 bar
0 to 300 psi	0 to 20 bar
0 to 400 psi	0 to 25 bar
0 to 600 psi	0 to 40 bar
0 to 800 psi	0 to 60 bar
0 to 1000 psi	0 to 70 bar
0 to 1600 psi	0 to 100 bar
0 to 2000 psi	0 to 160 bar
0 to 3000 psi	0 to 250 bar
0 to 4000 psi	
0 to 6000 psi	0 to 400 bar
0 to 10000 psi	0 to 600 bar
0 to 15000 psi	
0 to 16000 psi	0 to 1000 bar

7. Options

No option = NN, one option = selected letter then N, Two options = list from below alpha-numerically.

N	No option	O	Oxygen cleaned
X	Special instruction - please state	P	Perspex window
C	Customer drawing or specification	R	Internal Restrictor fitted
D	Defence Standard 66/2	S	Internal stops
E	Electrical Contact Head	T	Drag pointer
G	Glycerine filled	V	Low magnetic permeability
H	0.5% accuracy	W	Test gauge (0.25% accuracy)
J	Red setting pointer	Y	Damped Movement
L	No aluminium (for underground use)	Z	Wetted parts to NACE MR-01-75

Some options may not be available for all gauge models. Please refer to individual gauge specifications, or contact Rototherm sales.



British Rototherm Company Limited

Kenfig Industrial Estate, Margam, Port Talbot SA13 2PW United Kingdom
 Telephone : +44 (0) 1656 740 551 Facsimile : +44 (0) 1656 745 915

E-mail : sales@rototherm.co.uk
 Web Site : www.rototherm.co.uk

sales@thermocouple.co.uk
 www.thermocouple.co.uk

